

Product data

Product code	VC01-0019	STK-code	1914139	EAN-code	6410019141399
Product name	OL 2x185-300			ETIM class	EC000897
Wires	2xAl/Cu 185-300 mm ²				

Technical data

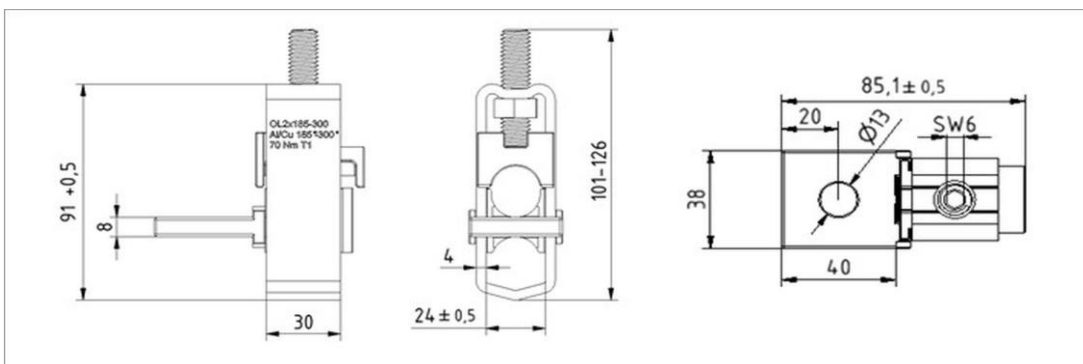
Nominal current (IEC)	Cu	800	A
	Al	800	A
		-	
		-	
		-	
		-	
Number of poles		1	pcs
Max. Cross section		300	mm ²
Tightening torque			
	185-300 mm ²	70	Nm
		-	
		-	
		-	
Operating temperature		80	°C
Weight		544	g
		-	



Color / Material	Stainless steel/ Tin plated copper
Mounting / Connection	Screw M12

Description

OL-connectors are designed to be used connecting aluminium and copper conductors. Frames are made of stainless steel and busbars of tin plated copper.

Drawing

Package

Package	Box	Pcs / Package	3	Weight [kg]	1,67
Length [mm]	85	Width [mm]	144	Height [mm]	85

Ouneva Oy

Teollisuustie 21
 FI-82730 Tuupovaara
 Finland

www.ounevagroup.fi

www.ounevaproducts.fi