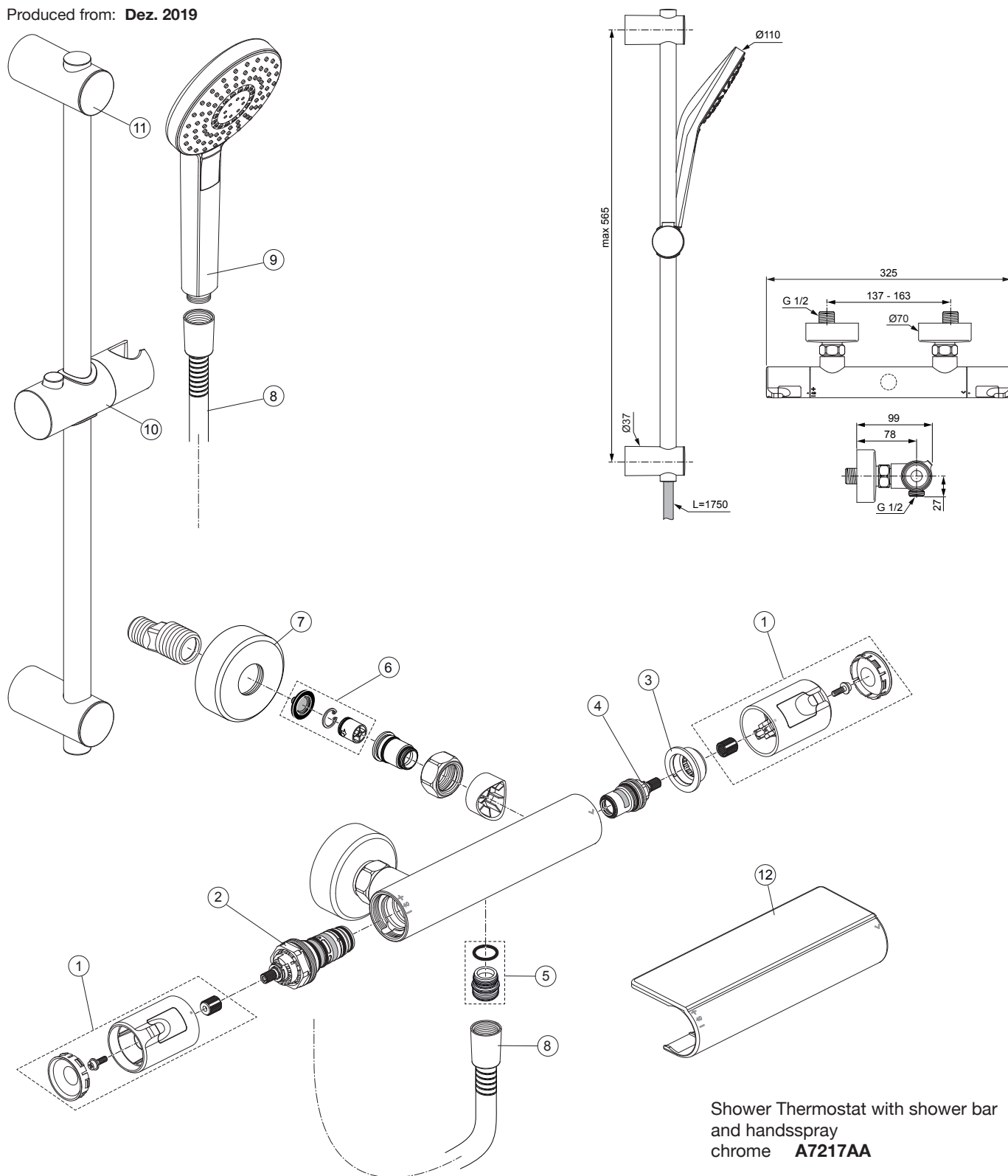




Ceratherm T50 A7217..

Ideal Standard

Produced from: Dez. 2019



Pos.	Description	Part-Number	Qty.	Pos.	Description	Part-Number	Qty.
1	Handle cpl.	A 861 382 AA	1 Set	12	Warp over shelf	A 7215 AA	1 pcs
2	Thermostatic Cartridge cpl.	A 861 371 NU	1 pcs				
3	Stopping	A 861 373 NU	1 pcs				
4	Cartridge G1/2 180° cpl.	A 861 245 NU*	1 Set				
5	Nipple G1/2 outside cpl.	A 861 374 NU	1 Set				
6	Non-return valve	A 861 372 NU	1 Set				
7	Escutcheon	B 960 242 AA	1 pcs				
8	Shower hose 1750 mm	A 4109 AA	1 pcs				
9	Handspray Ø110-3F-8l/min	B 2231 AA	1 pcs				
10	Slider & holder f. handshr.	B 960 976 AA	1 pcs				
11	Wall fixation complete	B 960 972 AA	2 pcs				

*Universal set (not all parts needed)

Ceratherm T50