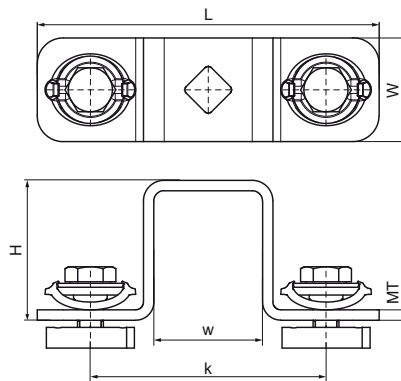
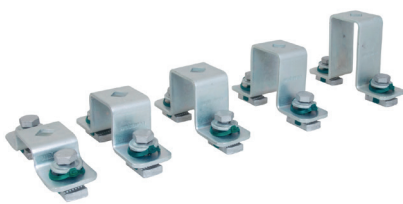


## Walraven RapidStrut® Cross Connector G2 (BUP1000)

(H28134)

to make Strut rail fabrications



### Features & benefits

- connector with pre-assembled Walraven RapidStrut® Slide nut(s)
- to make fabrication with Walraven RapidStrut® Rail
- ready-to-use pre-assembled for a quick fixing, and retains assembly in place before final tightening
- 'Direct Twist' technology for easy and secure installation
- visual guide to check the position of the slide nut
- optimized for easy installation with electrical tools
- material: metal parts made of steel 1.0332; spring(s) made of POM (polyoxymethylene), green
- product is part of the Walraven UltraProtect® 1000 system
- suitable for in- and outdoor applications
- stands min. 1,000 hours salt spray test (max. 5% red rust) according to ISO 9227



Product Number	VVS Number	For Rail Type	Total Height	Total Width	Total Length	Material Thickness	Width	Torque Moment For Installation	Maximum Allowed Load Faz	Maximum Allowed Load Fax
<i>Reference letter</i>			<i>H</i>	<i>W</i>	<i>L</i>	<i>MT</i>	<i>w</i>	<i>T inst.</i>	<i>Fa,z</i>	<i>Fa,x</i>
<i>Unit description</i>			<i>mm</i>	<i>mm</i>	<i>mm</i>	<i>mm</i>	<i>mm</i>	<i>Nm</i>	<i>N</i>	<i>N</i>
665885402	018047362	41x21	34.75	40	132	4.00	40	40	8,420	4,380
665885404	018047364	41x41	54.75	40	132	4.00	40	40	8,420	4,380
665885405	018047365	41x51	64.75	40	132	4.00	40	40	8,420	4,380
665885406	018047366	41x62	74.75	40	132	4.00	40	40	8,420	4,380
665885408	018047368	41x82	94.75	40	132	4.00	40	40	8,420	4,380