



eVALVE Control unit System box eValve Foot Bath -

SPARE PARTS

90 11 11 060 02 90 Product version up to 5/15/2020





eVALVE Control unit System box eValve Foot Bath -

SPARE PARTS

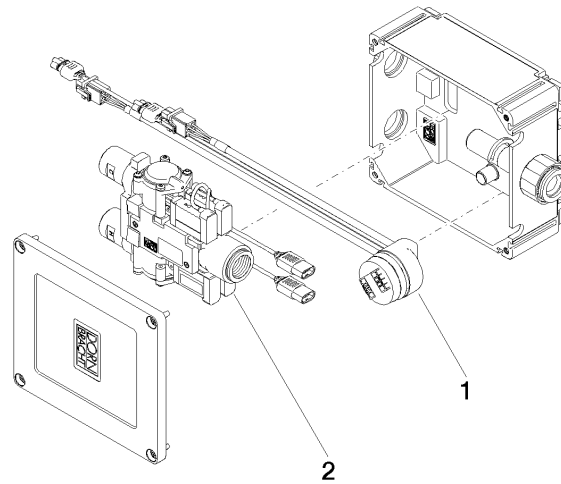
90 11 11 060 02 90 Product version up to 5/15/2020



eVALVE Control unit System box eValve Foot Bath -

SPARE PARTS

90 11 11 060 02 90 Product version up to 5/15/2020



Spare parts list

No.	Item Number	Name	Quantity used	Delivery time
2	09 30 50 072 90	Thermostat cartridge -	1.00	-
	Spare part can no longer be ordered, please order the replacement item			
	9030500880090	eVALVE Valve for normal flow Surface-mounted 85 x 41 x 167 mm -		
1	90 10 01 101 10 90	Diverter -	1.00	-
	Spare part can no longer be ordered, please order the replacement item			
	9010011011190	eValve Controller for diverters moulded, with diverter activation Ø 35 x 40 mm -		