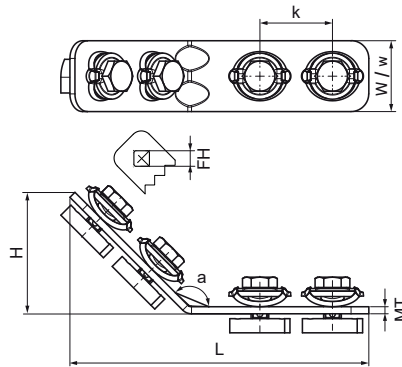


Walraven RapidStrut® Rail Connector 135° G2 (BUP1000)

(H2854)

to make Strut rail fabrications



Features & benefits

- connector with pre-assembled Walraven RapidStrut® Slide nut(s)
- to make fabrication with Walraven RapidStrut® Rail
- ready-to-use pre-assembled for a quick fixing, and retains assembly in place before final tightening
- 'Direct Twist' technology for easy and secure installation
- visual guide to check the position of the slide nut
- optimized for easy installation with electrical tools
- material: metal parts made of steel 1.0332; spring(s) made of POM (polyoxymethylene), green
- product is part of the Walraven UltraProtect® 1000 system
- suitable for in- and outdoor applications
- stands min. 1,000 hours salt spray test (max. 5% red rust) according to ISO 9227



Product Number	VVS Number	For Rail Type	Angle	Total Height	Total Width	Total Length	Material Thickness	Width	Fixing Hole	Heart To Heart Distance
Reference letter			<i>a</i>	<i>H</i>	<i>W</i>	<i>L</i>	<i>MT</i>	<i>w</i>	<i>FH</i>	<i>k</i>
Unit description			°	mm	mm	mm	mm	mm	mm	mm
665885235	018047332	41x21, 41x41, 41x51, 41x62, 41x82	135	83.4	40	173.6	4.00	40	13.8	41
665885330	018047331	41x21, 41x41, 41x51, 41x62, 41x82	135	50.3	40	139.8	4.00	40	13.8	41