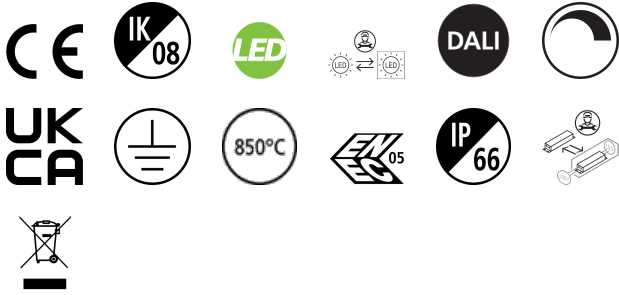


Raiden IP66 12KLM 830 Asymmetric Wide DALI

Item No: 2824038

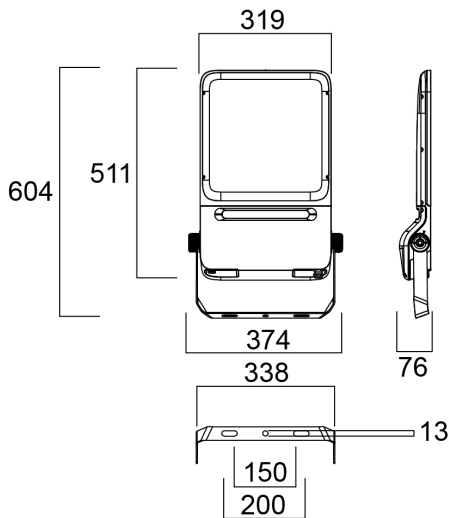
Concord



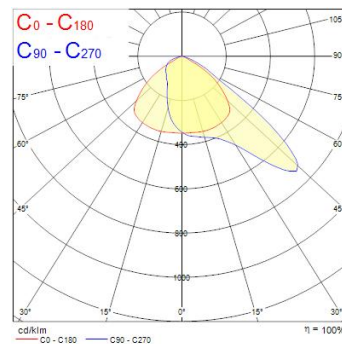
Outdoor and indoor floodlight range with in house design, comes complete with 1m flying lead and adjustable bracket, aluminium housing, RAL 9022 - Pearl light grey, clear glass diffuser, IP66, IK08, Class I, 3000K, DALI dimmable, 12000lm, 90W, 133lm/W, CRI80, Asymmetric Wide beam angle 110*50°, 100000 hrs L90B50 lifespan, 511x319x76mm (LxWxH) dimensions, 6.2kg weight. Ball-impact-resistance according to DIN57710-13 VDE 0710 13/5.81, DIN 18032-3 only with the separate wire guard accessory fitted.

Technical Assets

Dimensions (mm)



Photometrics



Raiden IP66 12KLM 830 Asymmetric Wide DALI

Item No: 2824038

Concord

General data

Product name	Raiden IP66 12KLM 830 Asymmetric Wide DALI
Technology	LED
Cap/Base	N/A
Housing	Aluminium
General application	Logistics & Industry
Operating temperature range (°C)	-40°C...+50°C
Performance ambient temperature Tq (°C)	25
ETIM Class	EC001744
Warranty	5 years

Optical data

Fixture luminous flux (lm)	12000
Luminaire efficacy (lm/W)	133
Correlated colour temperature (k)	3000
Light colour	Warm White
CRI (Ra)	80
Colour Variation Initial (SDCM)	SDCM3
Beam Angle (°)	110*50
Photobiological Risk Group	RG1

Electrical data

Total power consumption (W)	90
Primary Supply/Product voltage - min (V)	220
Primary Supply/Product voltage - max (V)	240
Lamp power factor	0.95
THD (at 230 V, 50 Hz, full load, at 100% dimming level) ≤ xx.x %	20
Electrical protection	Class I
Control gear required	No
Dimmable	Yes
Dimming method	DALI-2
Drive current (mA)	1820
Inrush Current (A)	180
Inrush Duration (µs)	150
Energy Efficiency Class (A->G) of contained light source	D
Nominal Frequency (Hz)	50/60Hz
Max. products per 10A C Breaker	6
Max. products per 13A C Breaker	5
Max. products per 16A C Breaker	6
Max. products per 20A C Breaker	8
Max. products per 10A B Breaker	3
Max. products per 13A B Breaker	3
Max. products per 16A B Breaker	3
Max. products per 20A B Breaker	4
Mains surge immunity (differential mode -> L-N) (kV)	6
Mains surge immunity (common mode -> L/N - GND) (kV)	10

Lifetime data

Lifespan L70 B50	100000
Lifespan L80 B20	100000
Lifespan L90 B50	100000

Raiden IP66 12KLM 830 Asymmetric Wide DALI

Item No: 2824038

Concord

Physical data

Housing colour	RAL 9022 - Pearl light grey
IP rating	IP66
IK rating	IK08
Nominal Product Length (mm)	511
Nominal Product Width (mm)	319
Nominal Product Height (mm)	76
Weight (kg)	6.2

Packaging

Product EAN number	5025768240388
Packaging single length / height (cm)	56.0
Packaging single width (cm)	41.5
Packaging single depth (cm)	14.0
DUN14 (inner)	05025768240388
Units per outer package	1
Packaging outer length / height (cm)	56.0
Packaging outer width (cm)	41.5
Packaging outer depth (cm)	14.0

Safety data

Glow Wire Test (°C)	850
Optimal operating condition (°C)	-40-50