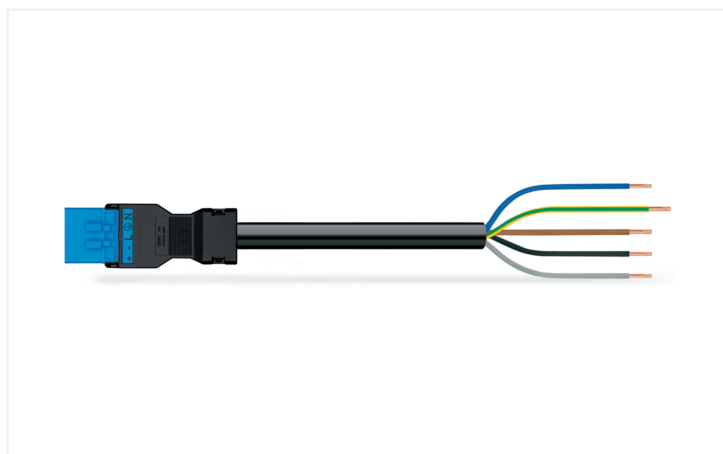


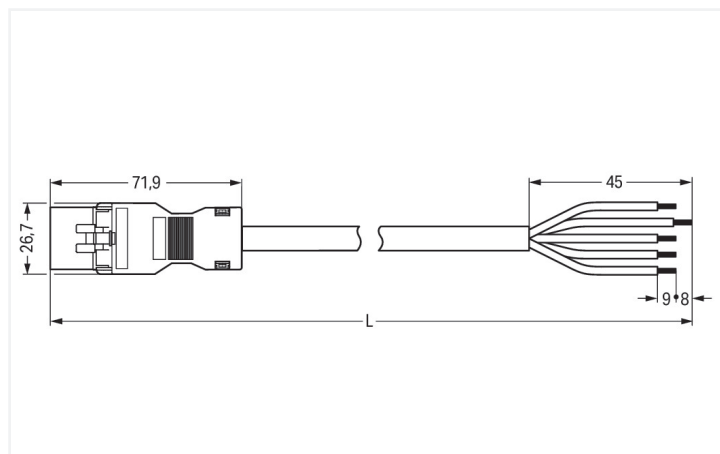
## Data Sheet | Item Number: 891-8985/206-301

pre-assembled connecting cable; Eca; Plug/open-ended; 5-pole; Cod. I; H05VV-F  
5G 1.5 mm<sup>2</sup>; 3 m; 1,50 mm<sup>2</sup>; blue

<https://www.wago.com/891-8985/206-301>



Color: ■ blue



Dimensions in mm

### Cable assembly WINSTA® MINI I coding

The WINSTA® MINI cable assembly I coding allows installation of solid and fine-stranded conductors. Our pluggable installation connectors with spring pressure connection technology function entirely without screw connections. They allow resource-efficient, error-free installation in a large number of applications. The mechanical coding and color coding of the pluggable installation connector ensure error-free installation of the individual components – including protection against mismating. I coding in blue is used to label WINSTA® MINI pluggable installation connectors, which are used predominantly in automation of buildings for activating lighting. Especially if only limited space is available, our smallest pluggable connection system, WINSTA® MINI, conveniently displays its strengths. It is very compact, and, with Push-in CAGE CLAMP® spring pressure connection technology, it also saves time, since the connection is low-maintenance and requires no screw connections. According to the European CPR, the fire class of the cables used for construction is decisive for the safety of buildings as well. For houses with average safety requirements, cable assemblies with fire class E are suitable.

### Fast, secure pluggable connections – cable assemblies from WAGO

The cable is pre-assembled with a plug and a free end. The WINSTA® Pluggable Connection System is ideally tailored to the strict requirements of building installation. It makes electrical installation pluggable, and thus faster, even more reliable, and error-free. Use of this pre-assembled system reduces time spent on assembly and errors during installation at the construction site. Choose quality and durability – with protection against mismating from WAGO makes the installation of electrical components visibly easier.

- pluggable installation connectors with protection against mismating
- easy tool-free operation, a wide range of coding options
- with I coding for use in the automation of buildings (lighting control)
- exact dimensions
- convenient installation and commissioning

### Notes

Note

Cables with a different fire class can be found in the eShop.

## Electrical data

| Ratings per                     | IEC/EN 60664-1 |     |    |
|---------------------------------|----------------|-----|----|
| Overvoltage category            | III            | III | II |
| Pollution degree                | 3              | 2   | 2  |
| Nominal voltage                 | 400 V          | -   | -  |
| Rated impulse withstand voltage | 6 kV           | -   | -  |
| Rated current                   | 16 A           | -   | -  |

## General information

|                            |  |
|----------------------------|--|
| Note on contact resistance | approx. 1 mΩ of contact resistance<br>approx. 0.25 mΩ contact transition plug/<br>socket |
|----------------------------|--|

## Connection Data

|                            |                           |
|----------------------------|---------------------------|
| Total number of potentials | 5                         |
| PE function                | Preceding PE contact      |
| Conductor preparation      | ultrasonically tip-bonded |

## Connection 1

|                                 |                     |
|---------------------------------|---------------------|
| Strip length                    | 9 mm / 0.35 inches  |
| Pole number                     | 5                   |
| Wire cross-section              | 1.5 mm <sup>2</sup> |
| Strip length (outer insulation) | 45 mm               |
| Connection type                 | Plug - free end     |

## Physical data

|              |                        |
|--------------|------------------------|
| Pin spacing  | 4.4 mm / 0.173 inches  |
| Width        | 26.7 mm / 1.051 inches |
| Height       | 15.8 mm / 0.622 inches |
| Total length | 3 m                    |

## Mechanical data

|   |   |
|---|---|
| Use                                     | DALI, Lighting Management                                     |
| Coding                                  | I   |
| Variable coding                         | No  |
| Marking                                 | N ⊕ L - +   |
| Potential marking                       | N ⊕ L - +   |
| Mating force of a plug-in connection    | approx. 20 ... 70 N (depending on pole number)                |
| Retention force of a plug-in connection | when locked: > 80N  |
| Unmating force of a plug-in connection  | when unlocked: approx. 20 ... 70 N (depending on pole number) |
| Number of mating cycles                 | 200, without resistive load                                   |
| Connection type                         | Plug - free end   |
| Type of pre-assembled cable             | Connecting cable  |
| Cable type                              | H05VV-F 5G1.5   |
| Protection type                         | IP20; IP40 when mated   |

## Plug-in connection

|                               |  |
|-------------------------------|--|
| Mismating protection          | Yes  |
| Note on mismating protection  | All WINSTA® components are 100% protected against mismating when:<br>a.) plugging different numbers of poles<br>b.) plugging while rotated 180<br>c.) plugging while laterally staggered<br>d.) plugging one pole  |
| Locking lever                 | Can be retrofitted   |
| Locking of plug-in connection | Locking lever  |
| Note on locking system        | All connectors for mounted installations (snap-in versions for lighting fixtures or devices, all types of PCB and distribution connectors) are factory-equipped with locking levers to ensure plugs and sockets are securely locked. Additional locking levers are only required for flying leads (plug/socket). |

### Material data

|                                    |  |
|------------------------------------|--|
| Note (material data)               | <a href="#">Information on material specifications can be found here</a> |
| Color                              | blue   |
| Insulation material (main housing) | Polyamide (PA66)   |
| Fire class per EN 50575            | E <sub>ca</sub>  |
| Contact material                   | Copper or copper alloy; surface-treated                                  |
| Contact Plating                    | Tin  |
| Fire load                          | 89.943 MJ  |
| Connector color                    | blue   |
| Strain relief color                | black  |
| Sheathed cable color               | black  |
| Printing color of sheathed cable   | white  |
| Halogen-free                       | No   |
| Silicon-free                       | Yes  |
| Sheath material                    | PVC  |
| Rubber cable                       | No   |
| Weight                             | 475.1 g  |
| Copper weight of the raw cable     | 0.072 kg/m   |

### Environmental requirements

|  |   |
|--|---|
| Processing temperature                   | -5 ... +40 °C   |
| Continuous operating temperature         | -35 ... +85 °C  |
| Note on continuous operating temperature | Cable for temperatures ≤ 70 °C (including halogen-free)<br>Insulating parts for temperatures ≤ 105 °C |

### Commercial data

|                       |               |
|-----------------------|---------------|
| PU (SPU)              | 1 pcs         |
| Packaging type        | unpacked      |
| Country of origin     | PL            |
| GTIN                  | 4055143386432 |
| Customs tariff number | 85444290900   |

### Product Classification

|             |                      |
|-------------|----------------------|
| UNSPSC      | 26121629             |
| eCl@ss 10.0 | 27-44-06-04          |
| eCl@ss 9.0  | 27-44-06-04          |
| ETIM 9.0    | EC002587             |
| ETIM 10.0   | EC002587             |
| ECCN        | NO US CLASSIFICATION |

### Environmental Product Compliance

|                        |                         |
|------------------------|-------------------------|
| RoHS Compliance Status | Compliant, No Exemption |
|------------------------|-------------------------|

**Approvals / Certificates**

**General approvals**



| Approval                              | Standard | Certificate Name |
|---------------------------------------|----------|------------------|
| CCA<br>DEKRA Certification B.V.       | EN 61535 | NTR NL-7971      |
| KEMA/KEUR<br>DEKRA Certification B.V. | EN 61535 | 71-123232        |

**Downloads**

**Environmental Product Compliance**

**Compliance Search**

|  |   |
|--|---|
| Environmental Product Compliance<br>891-8985/206-301 | ↓ |
|--|---|

**Documentation**

**Bid Text**

|                  |            |                 |   |
|------------------|------------|-----------------|---|
| 891-8985/206-301 | 19.02.2019 | xml<br>3.03 KB  | ↓ |
| 891-8985/206-301 | 02.12.2014 | doc<br>25.50 KB | ↓ |

**CAD/CAE-Data**

**CAE data**

|                                    |   |
|------------------------------------|---|
| WSCAD Universe<br>891-8985/206-301 | ↓ |
|------------------------------------|---|

**1 Compatible Products**

**1.1 Required Accessories**

**1.1.1 Locking system**

**1.1.1.1 Locking system**



**Item No.: 890-111**  
Locking lever; for flying leads; for tool operation; black

**Item No.: 890-131**  
Locking lever; for flying leads; for tool operation; white

**Item No.: 890-101**  
Locking lever; for manual operation; black

**Item No.: 890-121**  
Locking lever; for manual operation; white

## 1.2 Optional Accessories

### 1.2.1 Cover

#### 1.2.1.1 Cover



**Item No.: 897-2003**

Protective cap; Type2; for sockets and plugs; PVC; red

## 1.2.2 Installation

### 1.2.2.1 Mounting accessories



**Item No.: 890-310**

Mounting carrier; 2- to 5-pole; for flying leads; black



**Item No.: 890-311**

Mounting carrier; 2- to 5-pole; for flying leads; white