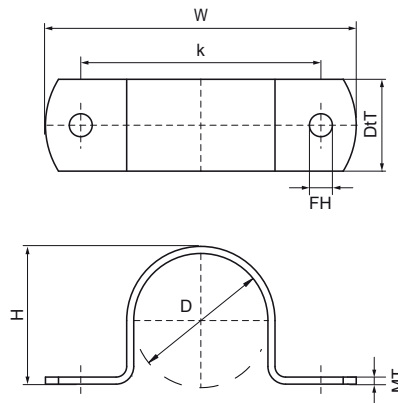


## Walraven Pipe Saddle (hdg)

(B3010)

for steel pipes



### Features & benefits

- one-part saddle
- material: steel
- hot dip galvanized

## EPD

Product Number	Pipe Diameter Imperial	Fixing Hole	Heart To Heart Distance	Material Thickness	Total Height	Total Width	Total Depth	Maximum Allowed Load Faz
Reference letter	D	FH	k	MT	H	W	DtT	Fa,z
Unit description	"	mm	mm	mm	mm	mm	mm	N
4601021	1/2	9	50	2.00	23	70	20	3,500
4601027	3/4	9	58	2.00	28	78	20	3,500
4601033	1	9	62	2.00	34	84	20	3,500
4601043	1 1/4	9	72	2.00	45	92	20	3,500
4601048	1 1/2	9	77	2.00	48	97	20	3,500
4601061	2	9	88	2.00	59	108	20	3,500