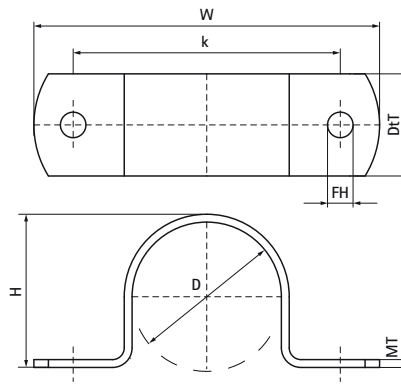


## Walraven Industrial Saddle

(B1505)

for steel pipes



### Features & benefits

- one-part saddle
- material: steel
- hot dip galvanized

## EPD

Product Number	Pipe Diameter Imperial	Fixing Hole	Fixing Slot	Heart To Heart Distance	Material Thickness	Total Height	Total Width	Total Depth
Reference letter	D	FH	FS	k	MT	H	W	DtT
Unit description	"	mm	mm	mm	mm	mm	mm	mm
4608027	3/4	9		57.5	2.50	30	88	25
4608033	1	9		63.5	2.50	36	94	25
4608042	1 1/4	9		72.5	2.50	45	103	25
4608048	1 1/2	9		78.5	2.50	51	109	25
4608060	2	9		90	2.50	63	120	25
4608077	2 1/2	9		107	2.50	80	137	25
4608089	3	9		119	2.50	89	149	25
4608110		11		146	4.00	114	176	30
4608114	4	11		150	4.00	118	180	30
4608125		11		161	4.00	129	191	30
4608140	5	11		176	4.00	144	206	30
4608160	6	11		196	4.00	160	226	30
4608168	6	11		208	4.00	172	238	40
4608200			15x10,5	260	4.00	205	290	40
4608225	8		15x10,5	285	5.00	230	315	40
4608250			15x10,5	310	5.00	255	340	40
4608315	12		15x10,5	375	5.00	320	375	40