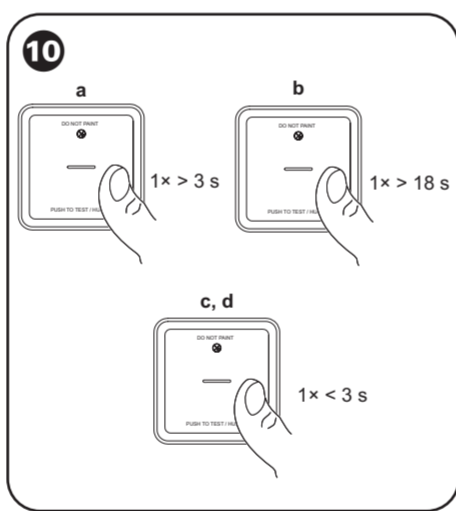
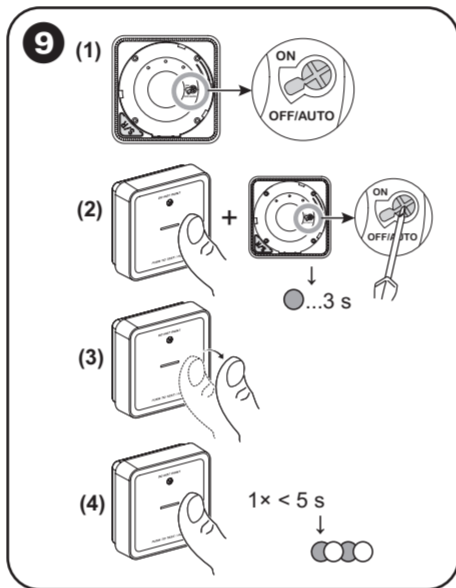
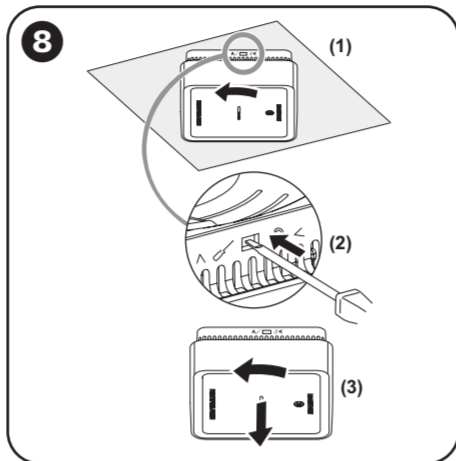
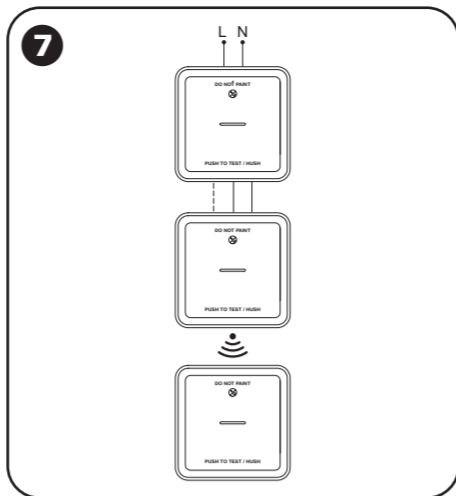
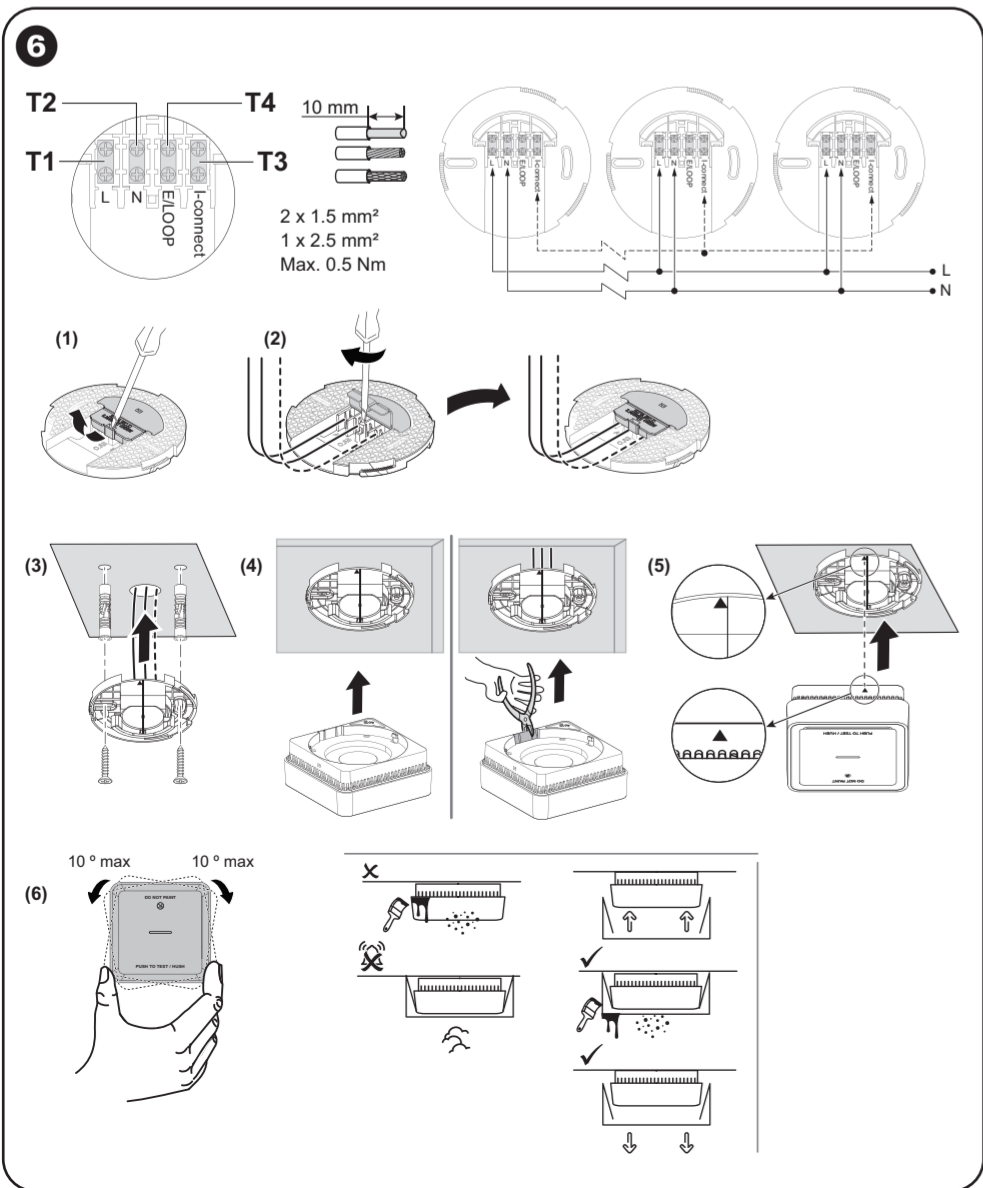
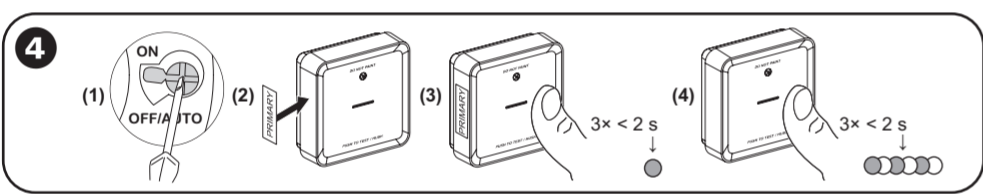
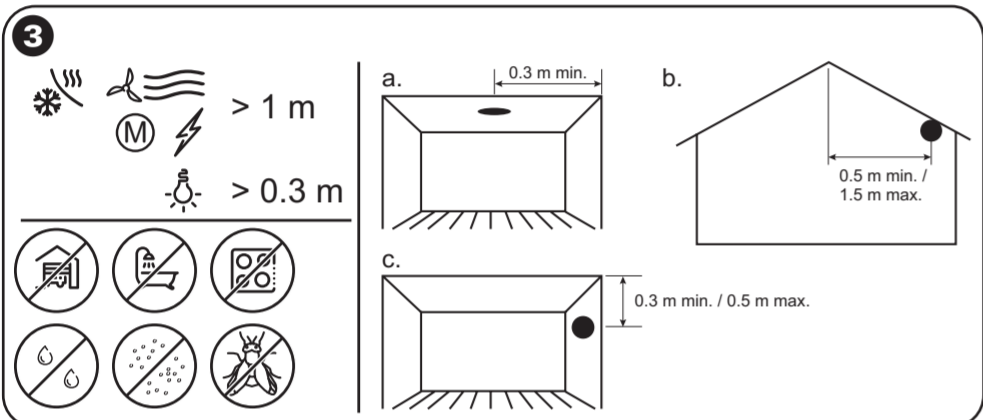
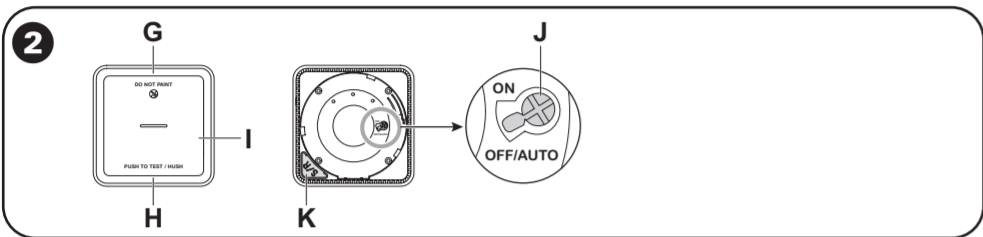
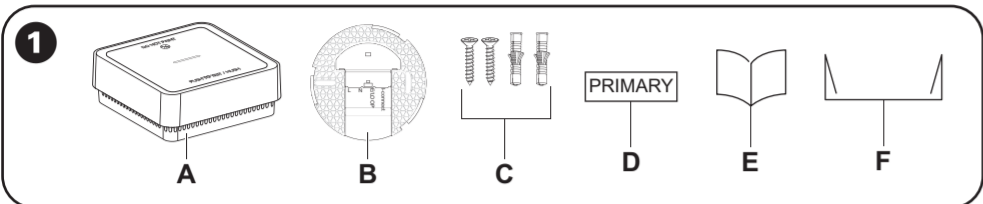


CCT599501



WiFer



en Wisier Smoke Alarm 230 V

HAZARD OF ELECTRIC SHOCK, EXPLOSION, OR ARC FLASH

Safe electrical installation must be carried out only by skilled professionals. Skilled professionals must prove profound knowledge in the following areas:

- Connecting to installation networks
- Laying electrical cables
- Safety standards, local wiring rules and regulations

Failure to follow these instructions will result in death or serious injury.

NOTICE

EQUIPMENT INSTALLATION HAZARD

- Always operate the product in compliance with the specified technical data.
- Keep the installation instruction for the life of the product.

Failure to follow these instructions can result in equipment damage.

WARNING

SEALED BATTERY HAZARD

Do not recharge, disassemble or incinerate the battery.

Failure to follow these instructions can result in death, serious injury or equipment damage.

About this product

The Wisier Smoke Alarm 230 V (device) uses a photoelectric sensor to detect smoke generated by fire and a temperature sensor that detects heat caused by rapid increase in temperature. It also includes a backup battery that allows the device to work if the power supply is disconnected. When connected to the Wisier system, the device will send notifications via the Wisier app.

- 1 Package contents**
- A Wisier Smoke Alarm 230 V
 - B Mounting base
 - C 2 Screws (M3.5 x 20 mm), 2 wall plugs
 - D Primary label
 - E Installation instructions
 - F Dust cover

- 2 Operating elements**
- G Status LED (Amber, Green and Red LED)
 - H Standby LED (Red LED)
 - I Test/Hush button
 - J Power switch (Battery)
- OFF/Auto:** In this position the device is turned off. When the device is mounted on the mounting base, it turns on automatically. When it is removed, it turns off automatically.
- K Setup/Reset Button

3 Choose suitable location to install

NOTICE

EQUIPMENT DAMAGE

- Do not install in garages, kitchens, bathrooms or any area with high levels of moisture, dirt or insects.
- Do not remove the dust cover until all construction work is completed. Construction dust and chemicals causes malfunction and false alarms.
- Install more than 0.3 m away from light source and 1 m away from air conditioners/heater vents and fans, electrical sources, appliances and fittings.

Failure to follow these instructions can result in equipment damage.

The device can be installed on:

- Flat ceiling
- Inclined ceiling
- Wall

- 4 Setup wireless connection without Wiser Gateway**
- The smoke alarms (devices) can be connected to each other via RF connections even without a Wiser Gateway. Read the following steps before starting the interconnection.
- Turn the power switch to ON position on all devices.
 - Identify a device and mark it as Primary with the label supplied. Other devices are considered as Secondary.
 - Short press the Test/Hush button 3 times within 2 s on the primary device. The Standby LED turns on for 30 s once it is in pairing mode.
 - Identify a secondary device and short press the Test/Hush button 3 times within 2 s. The Standby LED blinks 3 times on both primary and secondary devices indicating successful RF connection. Then on the primary device the Standby LED again turns on for 30 s.
- Repeat step 4 on all secondary devices.

Note: To exit from pairing mode, short press (< 0.5 s) the Test/Hush button 3 times on the Primary device. The Standby LED turns off indicating that the Primary device is not in pairing mode.

- 5 Connecting to Wiser Gateway**
- Short press the setup/reset button 3 times, the status LED blinks amber. Then add the device in the Wisier app by following the instructions in the app.
- When multiple devices are paired to the Wiser Gateway, wireless connection between the devices is created automatically.
- For more information, refer to the device user guide.

- 6 Installing the device**
- Connection elements**
- T1 Active terminal
 - T2 Neutral terminal
 - T3 Wired interconnection terminal
 - T4 Earth/Loop terminal

HAZARD OF ELECTRIC SHOCK

- Make sure that the terminal connection area does not come in contact with the metallic parts of any device installed in the same location.
- When working on the device, always disconnect the device from the power supply.

Failure to follow these instructions will result in death or serious injury.

WARNING

EQUIPMENT INSTALLATION HAZARD

- All interconnected smoke alarms must be supplied from the same circuit.
- A common Neutral must be used for the Interconnect to operate.
- DO NOT connect Live or Neutral wire to terminal T3.
- Max 40 smoke alarms can be interconnected.

Failure to follow these instructions can result in death, serious injury or equipment damage.

- Open the terminal cover on the mounting base with a flat-headed screwdriver.
 - Connect wires to the mounting base terminals according to the connection diagram and then close the terminal cover.
 - Install the mounting base on the wall or ceiling and make sure that the center line on the mounting base is parallel to the wall.
 - Prerequisite for installation:
 - For prewired ceiling, install the device on the mounting base without modification.
 - For surface mounted cable, remove the cut out on the side of the device and then install it on the mounting base.
 - Position the device on the mounting base. Make sure that the arrows on the device and mounting base are aligned.
 - Rotate the device clockwise until it locks onto the mounting base.
- Note:**
- Make sure that the device is parallel to the wall, otherwise rotate and adjust it to +/- 10 °.
 - Turn on the power supply and make sure that the green LED glows on the device which indicates that the device is powered by mains power supply.

- 7 Set up wired connection and combination of wired and wireless connection**
- Important:**
- A wireless connection saves wires and cables. If the devices are connected only via wires, then no additional configuration is required.
 - Make sure that the wireless connection is established in all the devices before setting up a combined wired and wireless connection between the devices, for more information refer to "Setup wireless connection without Wiser Gateway in Section 4".

- 8 Removing a device from the mounting base**
- Rotate the device anti-clockwise to the end position.
 - Insert a flat-headed screwdriver into the small opening of the device further to unlock it from the mounting base.
 - Hold the screwdriver into the small opening and then rotate the device anti-clockwise to pull it off from the mounting base.

- 9 Disconnecting a secondary device from RF interconnection**
- Note:**
- Remove a secondary device from the mounting base see "Removing a device from the mounting base".
 - Do not remove the Primary device.
 - Read the following steps before disconnecting a secondary device.
- Make sure that the power switch is in OFF/AUTO position.
 - Press and hold the Test/Hush button and simultaneously turn the power switch to ON position. The Standby LED turns on for 3 s.
 - Continue to hold the Test/Hush button until the Standby LED turns off. Then release the Test/Hush button.
 - Short press the Test/Hush button when the Standby LED is again turned on for 3 s. The Standby LED blinks until 5 s, indicating that the RF is disconnected. Then the Status LED blinks green 7 times indicating that the power is resuming.
- Note:** After disconnecting from RF interconnection, turn the power switch to OFF/AUTO position.

10 Operating the device

CAUTION

DO NOT USE OPEN FLAME

Do not use an open flame of any type to test a device.

Failure to follow these instructions can result in equipment damage.

- a. Testing the device**
- Important:** Test the device once in a month to ensure proper operation.
- Press the Test/Hush button on each device for more than 3 s until an alarm goes off. If the test alarm does not go off, then the device is not connected to power supply.
- b. Testing all interconnected devices by one operation**
- Select any interconnected device.
 - Press and hold the Test/Hush button for more than 18 s until an alarm goes off on all interconnected devices. If there is no alarm triggered on the interconnected devices, make sure that the wireless interconnection setup is correct. Also the distance between each device is within the specification.

Note: The triggered alarm on the interconnected devices remains for a longer time even if you release the Test/Hush button.

- c. Silencing the device:**
- Hush feature**
- During an alarm event, identify the device(s) which is/are blinking Red LEDs then short press the Test/Hush button on the device to stop the alarm.

Note: The device is still sensitive to high temperature when smoke alarming is hushed. Later the device resumes to normal operation. During this hush time, the Standby LED blinks once every 8 s.

- In an interconnected group, if more than one device has a blinking Red LEDs and active alarm, short press the Test/Hush button on all devices. All interconnected devices stops alarm within 5 to 10 s.

Temporary disablement

To temporarily disable the smoke detection in a device, short press the Test/Hush button once when the device is in Standby mode. The specific device will not be sensitive to smoke for 10 minutes. During this mode the Standby LED blinks once every 8 s.

- d. Snoozing the device alerts:**
- Low battery**
- When the battery is low, the Standby LED blinks and 1 beep occurs every 48 s. You can snooze the low battery indication for 10 hours by short pressing the Test/Hush button.

Important: The user must replace the device within 30 days from the first alert.

- Fault detection**

When a fault is detected in the device, the Standby LED blinks and 2 beep occurs every 48 s. You can snooze the indication for 10 hours by short pressing the Test/Hush button.

- Alarm memory**

In an interconnected group, once every 2 s till 72 hours after the alarm has stopped. This allows you to identify the device that was triggered.

Short press the Test/Hush button once to snooze the blinking LED for 10 hours.

11 Read full device user guide online

Scan the QR code for complete information about the device, including operation, configuration and using the product with a Wiser system.

Standby LED and alarming sound indications

Operating mode	Standby LED	Alarming Sound	Duration	
Normal mode / Standby mode	Blinks every 48 s	OFF	—	
ALARM MODE	Local alarm	Blinks every 1 s	3 beeps every 4 s	
	Interconnected alarm	OFF	3 beeps every 4 s	
Test mode	1 blink every 1 s	3 beeps every 4 s	Until Test/Hush button is released	
Wireless interconnection test	OFF	Continuous 3 beeps every 4 s	25 s	
Hush mode	Blinks every 8 s	OFF	10 min	
Low battery mode	Blinks every 48 s	1 beep every 48 s	End of life: replace the device	
Fault mode	2 blinks every 48 s	2 beeps every 48 s	Until the detected fault is cleared	
	Low battery	Blinks every 24 s	OFF	10 hrs
SNOOZE MODE	Fault	2 blinks every 24 s	OFF	10 hrs
	Alarm memory	Blinks every 48 s	OFF	10 hrs

Mod de funcționare	Led pentru stand by	Sunet alarmant	Durata	
MOD AMANARE	Baterie descarcata	Lumineaza intermitent la fiecare 24 sec.	OPRIT	10 ore
	Defectiune	Doua luminari intermitente la fiecare 24 sec.	OPRIT	10 ore
	Memorie alarma	Lumineaza intermitent la fiecare 48 sec.	OPRIT	10 ore

Depanare	
Problema	Solutie/Actiune
Dispozitivul nu produce un sunet de alarma la testare	<ol style="list-style-type: none">Asigurati-va ca dispozitivul este instalat corect. Daca nu sunteti sigur, eliminati si reinstalati dispozitivul (consultati „Instalarea dispozitivului”). Apasati butonul pentru testare/oprire pana la emiterea unui sunet de alarma. Nu apasati consecutiv. Daca problema persista sau daca aveti intrebari despre garantie, contactati centrul de asistenta pentru clienti.
Dispozitivul emite semnale sonore, iar ledul pentru stand by lumineaza intermitent la fiecare 48 sec.	Bateria poate fi descarcata sau epuizata. Inlocuiti dispozitivul.
Dispozitivul emite doua semnale sonore, iar ledul pentru stand by lumineaza intermitent la fiecare 48 sec.	<ol style="list-style-type: none">Curatati dispozitivul. Consultati sectiunea Intretinere. Daca problema persista sau daca aveti intrebari despre garantie, contactati centrul de asistenta pentru clienti.
Dispozitivul emite sunete de alarma in mod neastepatat, chiar daca in aer nu este prezent fum sau abur	<ol style="list-style-type: none">Identificati dispozitivul declansat, indicat de un led pentru stand by care lumineaza intermitent si prin emiterea a trei semnale sonore la fiecare 4 sec. Apasati butonul de testare/oprire pentru a intrerupe sunetul de alarma. Apoi, dispozitivul interconectat se opreste alarmant in decurs de 10 secunde. Curatati dispozitivul. Consultati sectiunea Intretinere. Reinstalati dispozitivul si testati-l. Daca problema persista sau daca aveti intrebari despre garantie, contactati centrul de asistenta pentru clienti. <p>Nota: Dupa un eveniment de alarma, dispozitivul declansat este cel care clipeste LED-ul in stand by la fiecare 2 s. Identificati dispozitivul si urmati pasii 3-5.</p>

Intretinere

Se recomanda ca dispozitivul sa fie inspectat lunar pentru a se asigura ca nu contine praf, praf si insecte. Alarma poate fi aspirata sau spalata cu o perie moale pentru a elimina praful, murdaria sau unsoarea de bucatarie care s-a acumulat. Aplicati o cantitate mica de spray de suprafata de insecte pe o carpa si stergeti alarmele/alarmele la fiecare 3-6 luni pentru a atenua patrunderea insectelor.

Important: Testati intotdeauna dispozitivul dupa curatare.

NOTA
INSTRUCTIUNI DE INTRETINERE A ECHIPAMENTULUI
<ul style="list-style-type: none">Testati dispozitivul in mod regulat pentru a va asigura ca functionalitatea sa si ca bateria este in stare buna de functionare. Inlocuiti dispozitivul dupa 10 ani de la data fabricarii. Nu deschideti carcasa dispozitivului si nu efectuatii lucrari de reparatii. Nu exista piese care pot fi reparate de utilizator.
Nerespectarea acestor instructiuni poate duce la deteriorarea echipamentului.

Sursa de alimentare	110-240 V c.a., 50/60 Hz
Backup baterie	10 ani
Curent de functionare	≤40 mA
Tip de detectare	Fotoelectric. Aceasta alarma NU contine materiale radioactive.
Temperatura de funcționare	Intre 0 °C si 45 °C
Umiditate ambientală	Intre 5 % si 95 %
Interconectarea cablurilor	Max. 40 dispozitive până la 150 m
Fara fir interconexiune	RF+Zigbee, max. 40 de dispozitive intr-o singura retea
Dispozitii terminale	Activ, neutru, bucla si Borne de interconectare, fiecare cazare 2 × 1,5 mm ² sau 1 × 2,5 mm ²
Frecventa de funcționare	Zigbee: 2405-2480 MHz <p>RF: 868 MHz</p>
Raza de actiune a retelei wireless	40 m camp de vizibilitate interior
Nivel sunet alarma	85 dB la 3 m
Tip montare	Montare numai pe tavan si pe perete
Dimensiuni (l × l × A)	115 × 115 × 46 mm
Standard	EN 14604:2005 + AC:2008
Certificare	Zigbee 3.0

Marci comerciale

- Wiser™ este o marca comerciala si proprietatea companiei Schneider Electric SE, a filialelor sale si a companiilor afiliate.
- Zigbee® este marca inregistrata a Connectivity Standards Alliance.

Alte nume de marci si marci comerciale inregistrate apartin proprietarilor respectivi.

Schneider Electric Industries SAS

Daca aveti intrebari de ordin tehnic, va rugam sa contactati centrul de asistenta pentru clienti din tara dvs.
se.com/contact



1116-CPR-176

DOP1000024

EN 14604:2005 + AC:2008