

Concord

NILO 800 DIR/INDIR 3K DALI WHITE 2050600



Features

• Nilo is a 360° curve-shaped luminaire with a striking, minimalistic design, perfect for retail, hospitality, and office environments. The product can be suspended at different heights to create appealing lighting effects. Stand-alone and self-contained lighting fixture. Aluminium body, opal diffuser, emits direct and indirect lighting. Textured white finishing colour. Light color temperature: 3000K, warm white. System power: 53W. Fixture lumen output: 5700lm, efficacy: 108lm/W, Ra80 typical, LED chromacity: 3 step MacAdam ellipse (SDCM3), IR/UV free light source without heat radiation. DALI dimmable, 220-240V / 50-60Hz. 80% direct, and 20% indirect lighting. Electrical protection: Class I. Degree of protection: IP20, suitable for indoor environment only. Nominal product dimensions: diameter 800mmx65mm.

Product Overview

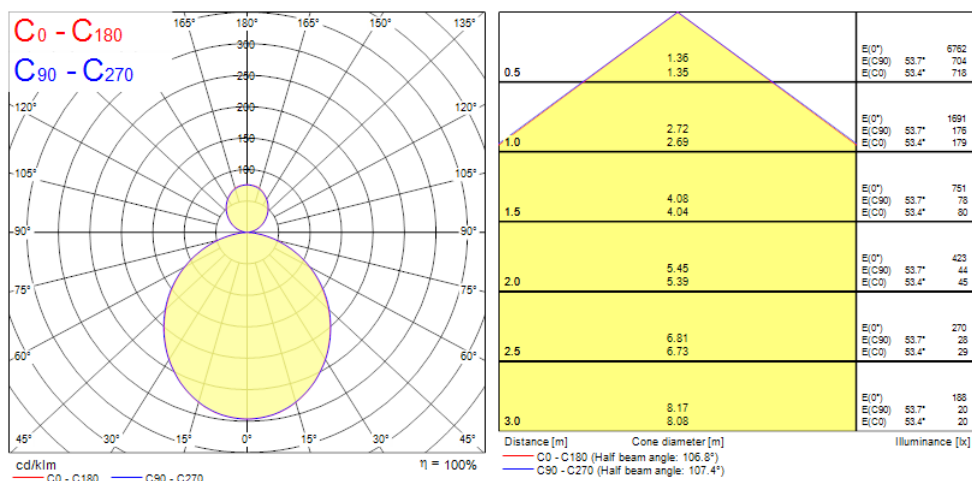
Product name	NILO 800 DIR/INDIR 3K DALI WHITE
Technology	LED
Cap/Base	N/A
Housing	Aluminium
Mount	Suspended
General application	Hospitality, Retail, Museums & Galleries
ETIM Class	EC002892
Fixture luminous flux (lm)	5700
Luminaire efficacy (lm/W)	108
Colour temperature (K)	3000
Light colour	Warm White
CRI (Ra)	80
Colour Variation Initial (SDCM)	3
Glare control	< 23

Concord

NILO 800 DIR/INDIR 3K DALI WHITE 2050600

Photobiological Risk Group	RG0
Total power consumption (W)	53
Electrical protection	Class I
Control gear type	LED driver constant current
Dimmable	Yes
Housing colour	White
IP rating	IP20
IK rating	IK03
Product EAN number	5025768506002
Warranty	5 years
Dimming method	DALI

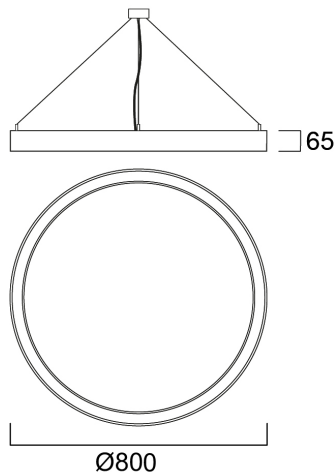
Photometry



Concord

NILO 800 DIR/INDIR 3K DALI WHITE 2050600

Technical drawings



Data table

GENERAL DATA

Product name	NILO 800 DIR/INDIR 3K DALI WHITE
Technology	LED
Cap/Base	N/A
Housing	Aluminium
Mount	Suspended
General application	Hospitality, Retail, Museums & Galleries
Operating temperature range (°C)	1°C...+25°C
ETIM Class	EC002892
Warranty	5 years

OPTICAL DATA

Fixture luminous flux (lm)	5700
Luminaire efficacy (lm/W)	108
Colour temperature (K)	3000
Light colour	Warm White
CRI (Ra)	80

Concord

NILO 800 DIR/INDIR 3K DALI WHITE 2050600

Colour Variation Initial (SDCM)	3
Distribution type	Symmetric
Glare control	< 23
Photobiological Risk Group	RG0

ELECTRICAL DATA

Total power consumption (W)	53
Primary Supply/Product voltage - min (V)	220.0
Primary Supply/Product voltage - max (V)	240
Lamp power factor	0.98
THD (at 230 V, 50 Hz, full load, at 100% dimming level) \leq xx.x %	5.0
Electrical protection	Class I
Control gear required	No
Control gear type	LED driver constant current
Dimmable	Yes
Dimming method	DALI
Drive current (mA)	1280
Inrush Current (A)	23
Inrush Duration (μ s)	200
Glow Wire Test ($^{\circ}$ C)	650
Energy Efficiency Class (A->G) of contained light source	C
Nominal Frequency (Hz)	50/60Hz
Max. products per 10A C Breaker	23
Max. products per 13A C Breaker	31
Max. products per 16A C Breaker	38
Max. products per 16A B Breaker	23
Connectable conductor cross section - Max (mm ²)	2.5

LIFETIME DATA

Lifespan L80 B20	50000
------------------	-------

Concord

NILO 800 DIR/INDIR 3K DALI WHITE 2050600

PHYSICAL DATA

Housing colour	White
IP rating	IP20
IK rating	IK03
Diffuser finish	Opal
Diffuser material	PMMA Acrylic
Nominal Product Height (mm)	65
Nominal Product Diameter (mm)	800
Weight (kg)	4.9

PACKAGING

Product EAN number	5025768506002
Packaging single length / height (cm)	87.0
Packaging single width (cm)	87.0
Packaging single depth (cm)	10.0
DUN14 (outer)	05025768506002
Units per outer package	1
Packaging outer length / height (cm)	87.0
Packaging outer width (cm)	87.0
Packaging outer depth (cm)	10.0

SAFETY DATA

Optimal operating condition (°C)	1-25
Special purpose lamp	No
Dry applications use only	No
Suitable for household illumination	No