

Features

- Sensor Dim LED exterior surface mounted luminaire, 350mm diameter, 1500lm as max. lumen output, can be adjusted down to 1450lm by internal switch, 14W max. power consumption, 107lm/W efficacy, 4000K color temperature, CRI80, IP66, IK10, 50,000 hours (L70), black housing, vandal resistant. Integrated Microwave occupancy sensor with daylight harvest, dimming and corridor function. Integrated emergency, 3 hours, supplied with anti-theft screws

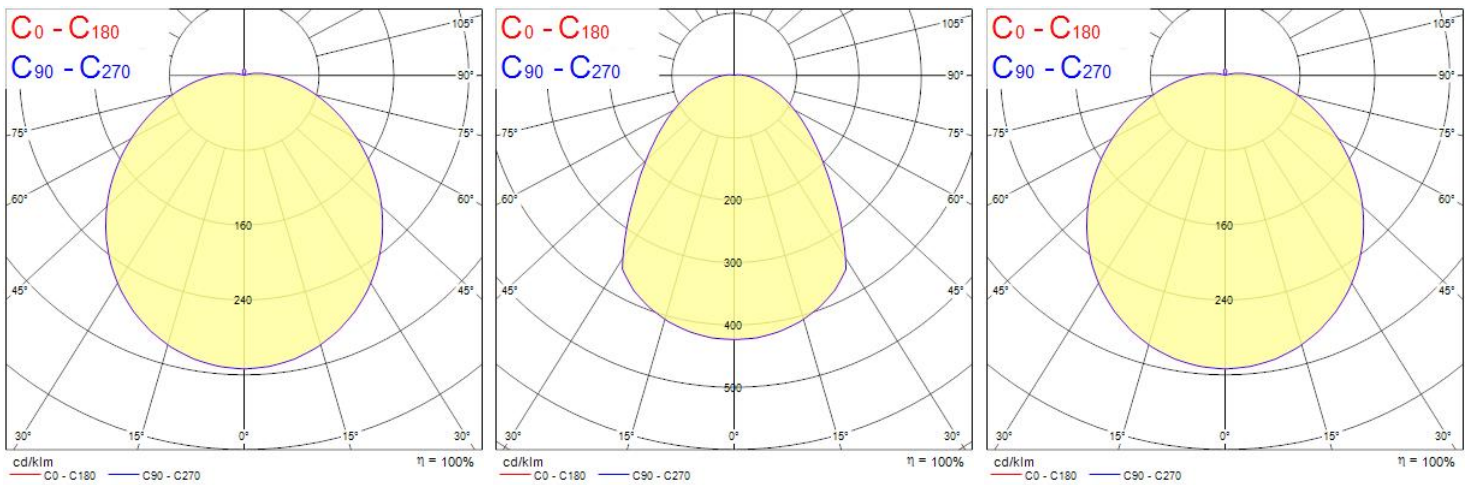
Product Overview

| | |
|--|--|
| Product name | START SURFACE IP66 1500LM 840 MW SENS EM3 IK10 BLK |
| Technology | LED |
| Cap/Base | N/A |
| Housing | PC Polycarbonate |
| Mount | Ceiling surface mounting |
| Environment | Indoor, Outdoor |
| General application | Hospitality |
| ETIM Class | EC002892 |
| Fixture luminous flux (lm) | 1500 |
| Luminaire efficacy (lm/W) | 84 |
| LOR (%) | 100 |
| Colour temperature (K) | 4000 |
| Light colour | Neutral White |
| CRI (Ra) | 80 |
| Colour Variation Initial (SDCM) | 6 |
| Beam Angle (°) | 120 |
| Glare control | < 25 |
| Photobiological Risk Group | RG0 |
| Luminous flux (emergency) (lm) | 124 |

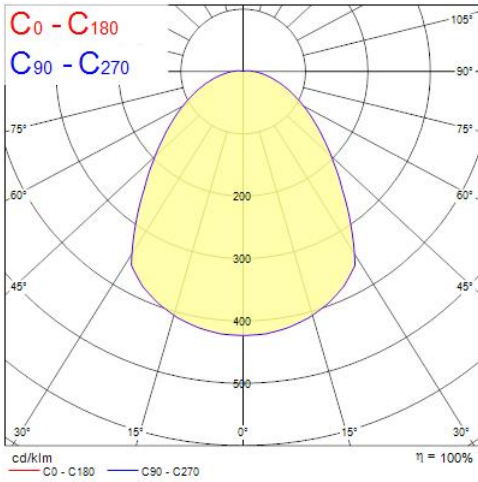
START SURFACE IP66 1500LM 840 MW SENS EM3 IK10 BLK 0098605

| | |
|-----------------------------|-----------------------------|
| Total power consumption (W) | 18 |
| Electrical protection | Class II |
| Control gear type | LED driver constant current |
| Control gear mounting | Integrated |
| Dimmable | Yes |
| LED Flickering Rate | Ultra low (5% or less) |
| Housing colour | RAL9011 |
| IP rating | IP66 |
| IK rating | IK10 |
| Product EAN number | 5410288986050 |
| Warranty | 5 years |
| Useful luminous flux (#use) | 1500 |
| Colour Code | 840 |
| Dimming method | Other |

Photometry



START SURFACE IP66 1500LM 840 MW SENS EM3 IK10 BLK 0098605



| Distance [m] | Cone diameter [m] | E _v (0°) E _v (C0) | E _v (C0) | 1945 161 |
|--------------|-------------------|--|---------------------|-------------|
| 0.5 | 1.52 | 56.7° | 56.7° | 1945 161 |
| 1.0 | 3.04 | 56.7° | 56.7° | 486 40 |
| 1.5 | 4.57 | 56.7° | 56.7° | 216 18 |
| 2.0 | 6.09 | 56.7° | 56.7° | 122 10 |
| 2.5 | 7.61 | 56.7° | 56.7° | 78 6 |
| 3.0 | 9.13 | 56.7° | 56.7° | 54 4 |

Distance [m] Cone diameter [m] Illuminance [lx]
— C0 - C180 (Half beam angle: 113.4°)

| Distance [m] | Cone diameter [m] | E _v (0°) E _v (C0) | E _v (C0) | 210 39 |
|--------------|-------------------|--|---------------------|-----------|
| 0.5 | 0.97 | 44.1° | 44.1° | 210 39 |
| 1.0 | 1.94 | 44.1° | 44.1° | 53 10 |
| 1.5 | 2.91 | 44.1° | 44.1° | 23 4 |
| 2.0 | 3.88 | 44.1° | 44.1° | 13 2 |
| 2.5 | 4.85 | 44.1° | 44.1° | 8 2 |
| 3.0 | 5.81 | 44.1° | 44.1° | 6 1 |

Distance [m] Cone diameter [m] Illuminance [lx]
— C0 - C180 (Half beam angle: 88.2°)

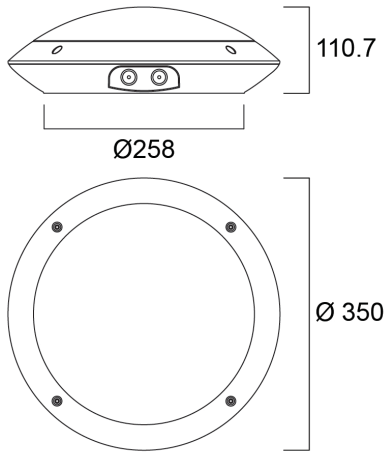
| Distance [m] | Cone diameter [m] | E _v (0°) E _v (C0) | E _v (C0) | 1994 140 |
|--------------|-------------------|--|---------------------|-------------|
| 0.5 | 1.52 | 56.7° | 56.7° | 1994 140 |
| 1.0 | 3.04 | 56.7° | 56.7° | 423 35 |
| 1.5 | 4.57 | 56.7° | 56.7° | 188 16 |
| 2.0 | 6.09 | 56.7° | 56.7° | 106 9 |
| 2.5 | 7.61 | 56.7° | 56.7° | 68 6 |
| 3.0 | 9.13 | 56.7° | 56.7° | 47 4 |

Distance [m] Cone diameter [m] Illuminance [lx]
— C0 - C180 (Half beam angle: 113.4°)

| Distance [m] | Cone diameter [m] | E _v (0°) E _v (C0) | E _v (C0) | 210 39 |
|--------------|-------------------|--|---------------------|-----------|
| 0.5 | 0.97 | 44.1° | 44.1° | 210 39 |
| 1.0 | 1.94 | 44.1° | 44.1° | 53 10 |
| 1.5 | 2.91 | 44.1° | 44.1° | 23 4 |
| 2.0 | 3.88 | 44.1° | 44.1° | 13 2 |
| 2.5 | 4.85 | 44.1° | 44.1° | 8 2 |
| 3.0 | 5.81 | 44.1° | 44.1° | 6 1 |

Distance [m] Cone diameter [m] Illuminance [lx]
— C0 - C180 (Half beam angle: 88.2°)

Technical drawings



Data table

GENERAL DATA

| | |
|---|--|
| Product name | START SURFACE IP66 1500LM 840 MW SENS EM3 IK10 BLK |
| Technology | LED |
| Cap/Base | N/A |
| Housing | PC Polycarbonate |
| Mount | Ceiling surface mounting |
| Environment | Indoor, Outdoor |
| General application | Hospitality |
| Operating temperature range (°C) | 25°C...+25°C |
| Performance ambient temperature Tq (°C) | 25 |
| ETIM Class | EC002892 |
| Warranty | 5 years |

OPTICAL DATA

| | |
|-----------------------------|------|
| Useful luminous flux (#use) | 1500 |
|-----------------------------|------|

START SURFACE IP66 1500LM 840 MW SENS EM3 IK10 BLK 0098605

| | |
|--|---------------|
| Fixture luminous flux (lm) | 1500 |
| Luminaire efficacy (lm/W) | 84 |
| LOR (%) | 100 |
| Colour temperature (K) | 4000 |
| Colour Code | 840 |
| Light colour | Neutral White |
| CRI (Ra) | 80 |
| Colour Variation Initial (SDCM) | 6 |
| Adjustable chromaticity | N |
| Beam Angle (°) | 120 |
| Distribution type | Symmetric |
| Glare control | < 25 |
| Photobiological Risk Group | RG0 |
| Lumen maintenance at end of nominal life (%) | 70 |
| Luminous flux (emergency) (lm) | 124 |
| Emergency duration (h) | 3 |

ELECTRICAL DATA

| | |
|--|-----------------------------|
| Total power consumption (W) | 18 |
| Primary Supply/Product voltage - min (V) | 198.0 |
| Primary Supply/Product voltage - max (V) | 264.0 |
| Lamp power factor | 1 |
| THD (at 230 V, 50 Hz, full load, at 100% dimming level) ≤ xx.x % | 1 |
| Electrical protection | Class II |
| Control gear required | No |
| Control gear type | LED driver constant current |
| Control gear mounting | Integrated |
| Dimmable | Yes |
| Dimming method | Other |
| Drive current (mA) | 350 |
| Inrush Current (A) | 45 |
| Inrush Duration (µs) | 32 |
| Glow Wire Test (°C) | 650 |

START SURFACE IP66 1500LM 840 MW SENS EM3 IK10 BLK 0098605

| | |
|--|------------------------|
| Energy Efficiency Class (A->G) of contained light source | D |
| Nominal Frequency (Hz) | 50/60Hz |
| LED Flickering Rate | Ultra low (5% or less) |
| Max. products per 10A C Breaker | 45 |
| Max. products per 13A C Breaker | 58 |
| Max. products per 16A C Breaker | 72 |
| Max. products per 20A C Breaker | 90 |
| Max. products per 10A B Breaker | 22 |
| Max. products per 13A B Breaker | 35 |
| Max. products per 16A B Breaker | 43 |
| Max. products per 20A B Breaker | 53 |
| Connectable conductor cross section - Min (mm ²) | 0.75 |
| Connectable conductor cross section - Max (mm ²) | 2.5 |

LIFETIME DATA

| | |
|------------------|-------|
| Lifespan L70 B50 | 50000 |
|------------------|-------|

PHYSICAL DATA

| | |
|-------------------------------|------------------|
| Housing colour | RAL9011 |
| IP rating | IP66 |
| IK rating | IK10 |
| Diffuser finish | Opal |
| Diffuser material | PC Polycarbonate |
| Nominal Product Height (mm) | 111 |
| Nominal Product Diameter (mm) | 350 |
| Weight (kg) | 1.3 |

PACKAGING

| | |
|---------------------------------------|---------------|
| Product EAN number | 5410288986050 |
| Packaging single length / height (cm) | 40.0 |
| Packaging single width (cm) | 40.0 |

START SURFACE IP66 1500LM 840 MW SENS EM3 IK10 BLK 0098605

| | |
|--------------------------------------|----------------|
| Packaging single depth (cm) | 11.0 |
| DUN14 (outer) | 05410288986050 |
| Units per outer package | 1 |
| Packaging outer length / height (cm) | 40.0 |
| Packaging outer width (cm) | 40.0 |
| Packaging outer depth (cm) | 11.0 |

SAFETY DATA

| | |
|-------------------------------------|-------|
| Optimal operating condition (°C) | 25-25 |
| Special purpose lamp | No |
| Dry applications use only | No |
| Suitable for household illumination | No |