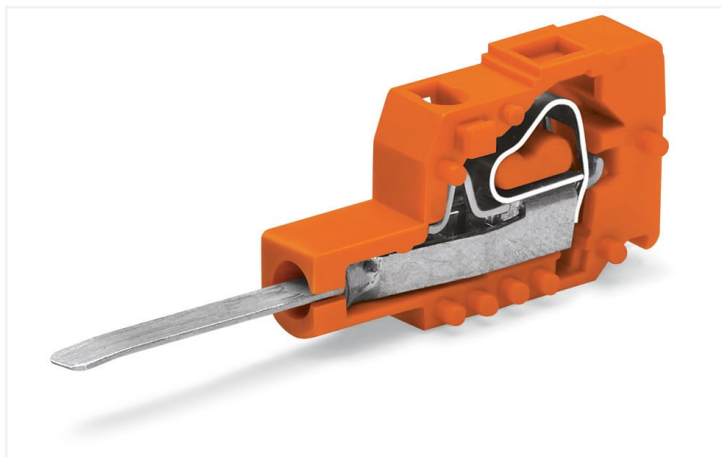
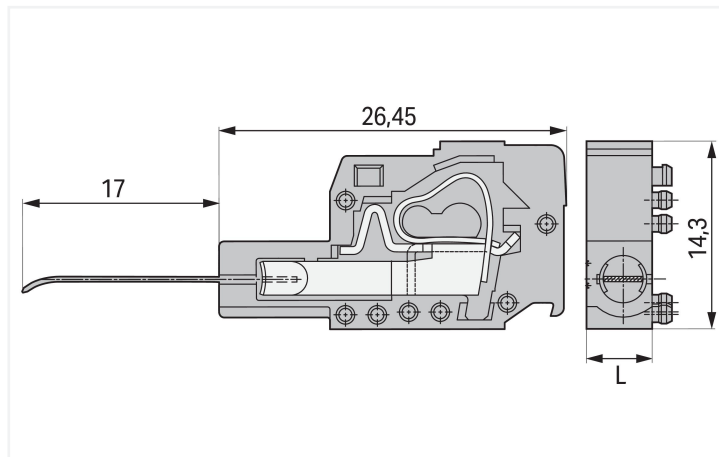


**Data Sheet | Item Number: 231-426**  
 Testing plug module with contact stud; orange

<https://www.wago.com/231-426>



Color: ■ orange



Dimensions in mm

L = pin spacing

### Electrical data

| Ratings per          | IEC/EN 60664-1 |        |    |
|----------------------|----------------|--------|----|
| Overvoltage category | III            | III    | II |
| Pollution degree     | 3              | 2      | 2  |
| Nominal voltage      | -              | 250 V  | -  |
| Rated surge voltage  | -              | 2.5 kV | -  |
| Rated current        | -              | 0.5 A  | -  |

### Connection data

|                            |   |
|----------------------------|---|
| Connection points          | 1 |
| Total number of potentials | 1 |
| Number of connection types | 1 |

#### Connection 1

|                         |  |
|-------------------------|--|
| Connection technology   | CAGE CLAMP®                                  |
| Solid conductor         | 0.08 ... 2.5 mm <sup>2</sup> / 28 ... 12 AWG |
| Fine-stranded conductor | 0.08 ... 2.5 mm <sup>2</sup> / 28 ... 12 AWG |
| Strip length            | 12 ... 13 mm / 0.47 ... 0.51 inches          |

### Physical data

|             |                         |
|-------------|-------------------------|
| Pin spacing | 5.08 mm / 0.2 inches    |
| Width       | 5.08 mm / 0.2 inches    |
| Height      | 14.3 mm / 0.563 inches  |
| Depth       | 43.45 mm / 1.711 inches |

### Mechanical data

|                     |                                     |
|---------------------|-------------------------------------|
| Application         | Testing without connected conductor |
| Test contact length | 17 mm                               |
| Suitable            | for 280, 736, 737, 738, 780 Series  |

### Material data

|                             |  |
|-----------------------------|--|
| Note (material data)        | <a href="https://www.wago.com/us/material-specifications">Information on material specifications can be found here</a> |
| Color                       | orange   |
| Material group              | I  |
| Insulation material         | Polyamide (PA66)   |
| Flammability class per UL94 | V0   |
| Clamping spring material    | Chrome-nickel spring steel (CrNi)  |
| Contact material            | Electrolytic copper (E <sub>Cu</sub> )   |
| Contact plating             | Tin  |
| Fire load                   | 0.024 MJ   |
| Weight                      | 2 g  |

### Environmental requirements

|                         |                 |
|-------------------------|-----------------|
| Limit temperature range | -60 ... +105 °C |
| Processing temperature  | -35 ... +60 °C  |

### Commercial data

|                       |                        |
|-----------------------|------------------------|
| Product Group         | 3 (Multi Conn. System) |
| eCl@ss 10.0           | 27-14-11-48            |
| eCl@ss 9.0            | 27-14-11-48            |
| ETIM 8.0              | EC002555               |
| ETIM 7.0              | EC002555               |
| PU (SPU)              | 100 pcs                |
| Packaging type        | Box                    |
| Country of origin     | DE                     |
| GTIN                  | 4045454761936          |
| Customs tariff number | 85366990990            |

### Environmental Product Compliance

|                        |                         |
|------------------------|-------------------------|
| RoHS Compliance Status | Compliant, No Exemption |
|------------------------|-------------------------|

### Approvals / Certificates

#### General approvals



| Approval                        | Standard | Certificate Name |
|---------------------------------|----------|------------------|
| CSA<br>DEKRA Certification B.V. | C22.2    | 1466354          |

#### Approvals for marine applications



| Approval              | Standard  | Certificate Name |
|-----------------------|-----------|------------------|
| LR<br>Lloyds Register | IEC 61984 | 96/20035 (E5)    |

## Downloads

### Environmental Product Compliance

#### Compliance Search

Environmental Product  
Compliance 231-426



## Documentation

### Additional Information

Technical Section

03.04.2019

pdf

2010.85 KB



## 1 Compatible Products

### 1.1 Required Accessories

#### 1.1.1 End plate

##### 1.1.1.1 End plate

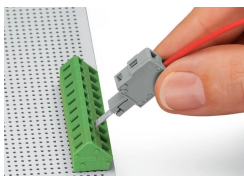


[Item No.: 231-300](#)

End plate; 1.5 mm thick; orange

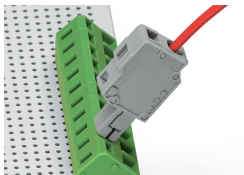
## Installation Notes

### Application



Inserting a test plug module into the operating slot.

## Testing



Unwired terminal strip with inserted test plug module

Application



Contact type A:  
Testing only when unwired.