

Features

- Sensor Dim LED exterior surface mounted luminaire, 350mm diameter, 1500lm as max. lumen output, can be adjusted down to 1450lm by internal switch, 14W max. power consumption, 107lm/W efficacy, 4000K color temperature, CRI80, IP66, IK10, 50,000 hours (L70), whitehousing, vandal resistant. Integrated Microwave occupancy sensor with daylight harvest, dimming and corridor function. Integrated emergency, 3 hours, supplied with anti-theft screws

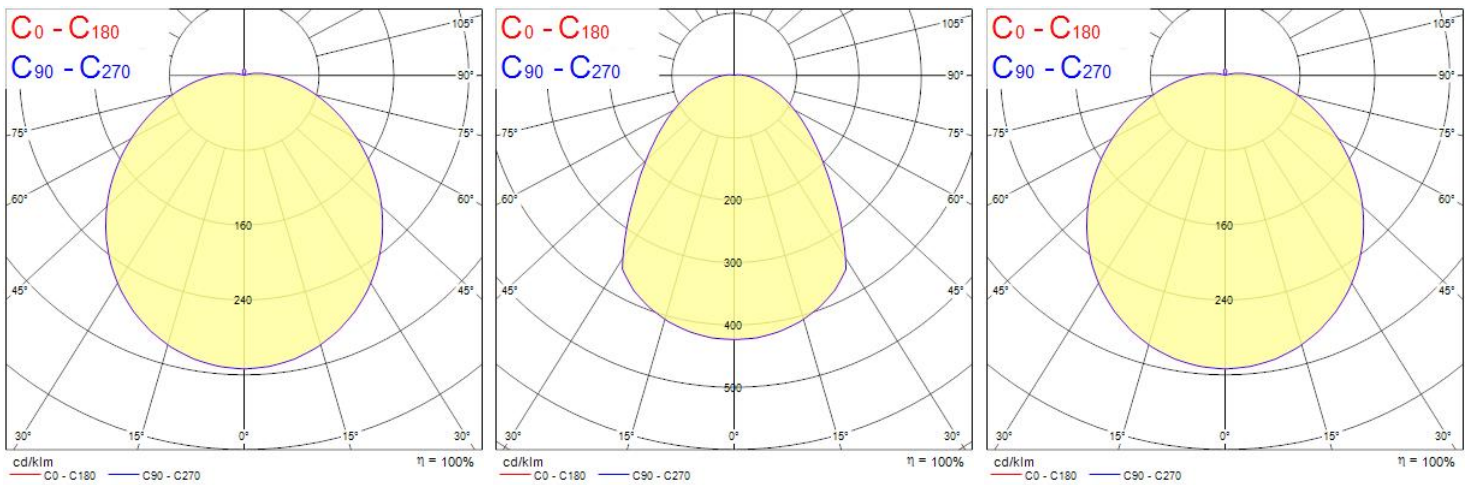
Product Overview

Product name	START SURFACE IP66 1500LM 840 MW SENS EM3 IK10 WHT
Technology	LED
Cap/Base	N/A
Housing	PC Polycarbonate
Mount	Ceiling surface mounting
Environment	Indoor, Outdoor
General application	Hospitality
ETIM Class	EC002892
Fixture luminous flux (lm)	1500
Luminaire efficacy (lm/W)	84
LOR (%)	100
Colour temperature (K)	4000
Light colour	Neutral White
CRI (Ra)	80
Colour Variation Initial (SDCM)	6
Beam Angle (°)	120
Glare control	< 25
Photobiological Risk Group	RG0
Luminous flux (emergency) (lm)	124

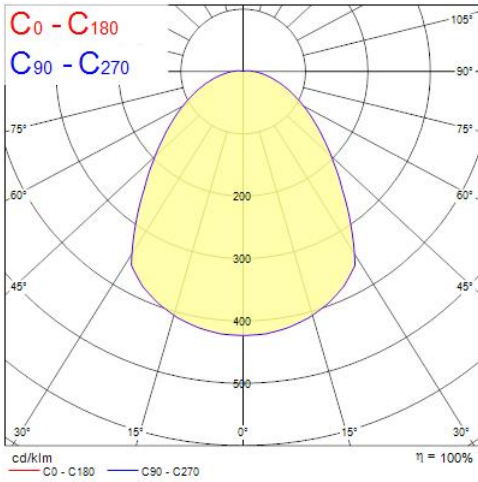
START SURFACE IP66 1500LM 840 MW SENS EM3 IK10 WHT 0098603

Total power consumption (W)	18
Electrical protection	Class II
Control gear type	LED driver constant current
Control gear mounting	Integrated
Dimmable	Yes
LED Flickering Rate	Ultra low (5% or less)
Housing colour	RAL9003
IP rating	IP66
IK rating	IK10
Product EAN number	5410288986036
Warranty	5 years
Useful luminous flux (#use)	1500
Colour Code	840
Dimming method	Other

Photometry



START SURFACE IP66 1500LM 840 MW SENS EM3 IK10 WHT 0098603



Distance [m]	Cone diameter [m]	E _v (0°) E _v (C0)	E _v (C0)	1945 161
0.5	1.52	56.7°	56.7°	1945 161
1.0	3.04	56.7°	56.7°	488 40
1.5	4.57	56.7°	56.7°	216 18
2.0	6.09	56.7°	56.7°	122 10
2.5	7.61	56.7°	56.7°	78 6
3.0	9.13	56.7°	56.7°	54 4

Distance [m] Cone diameter [m] Illuminance [lx]
C0 - C180 (Half beam angle: 113.4°)

Distance [m]	Cone diameter [m]	E _v (0°) E _v (C0)	E _v (C0)	210 39
0.5	0.97	44.1°	44.1°	210 39
1.0	1.94	44.1°	44.1°	53 10
1.5	2.91	44.1°	44.1°	23 4
2.0	3.88	44.1°	44.1°	13 2
2.5	4.85	44.1°	44.1°	8 2
3.0	5.81	44.1°	44.1°	6 1

Distance [m] Cone diameter [m] Illuminance [lx]
C0 - C180 (Half beam angle: 88.2°)

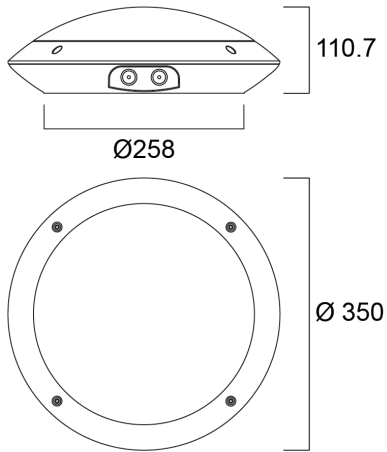
Distance [m]	Cone diameter [m]	E _v (0°) E _v (C0)	E _v (C0)	1994 140
0.5	1.52	56.7°	56.7°	1994 140
1.0	3.04	56.7°	56.7°	423 35
1.5	4.57	56.7°	56.7°	188 16
2.0	6.09	56.7°	56.7°	106 9
2.5	7.61	56.7°	56.7°	68 6
3.0	9.13	56.7°	56.7°	47 4

Distance [m] Cone diameter [m] Illuminance [lx]
C0 - C180 (Half beam angle: 113.4°)

Distance [m]	Cone diameter [m]	E _v (0°) E _v (C0)	E _v (C0)	210 39
0.5	0.97	44.1°	44.1°	210 39
1.0	1.94	44.1°	44.1°	53 10
1.5	2.91	44.1°	44.1°	23 4
2.0	3.88	44.1°	44.1°	13 2
2.5	4.85	44.1°	44.1°	8 2
3.0	5.81	44.1°	44.1°	6 1

Distance [m] Cone diameter [m] Illuminance [lx]
C0 - C180 (Half beam angle: 88.2°)

Technical drawings



Data table

GENERAL DATA

Product name	START SURFACE IP66 1500LM 840 MW SENS EM3 IK10 WHT
Technology	LED
Cap/Base	N/A
Housing	PC Polycarbonate
Mount	Ceiling surface mounting
Environment	Indoor, Outdoor
General application	Hospitality
Operating temperature range (°C)	25°C...+25°C
Performance ambient temperature Tq (°C)	25
ETIM Class	EC002892
Warranty	5 years

OPTICAL DATA

Useful luminous flux (#use)	1500
-----------------------------	------

START SURFACE IP66 1500LM 840 MW SENS EM3 IK10 WHT 0098603

Fixture luminous flux (lm)	1500
Luminaire efficacy (lm/W)	84
LOR (%)	100
Colour temperature (K)	4000
Colour Code	840
Light colour	Neutral White
CRI (Ra)	80
Colour Variation Initial (SDCM)	6
Adjustable chromaticity	N
Beam Angle (°)	120
Distribution type	Symmetric
Glare control	< 25
Photobiological Risk Group	RG0
Lumen maintenance at end of nominal life (%)	70
Luminous flux (emergency) (lm)	124
Emergency duration (h)	3

ELECTRICAL DATA

Total power consumption (W)	18
Primary Supply/Product voltage - min (V)	198.0
Primary Supply/Product voltage - max (V)	264.0
Lamp power factor	1
THD (at 230 V, 50 Hz, full load, at 100% dimming level) ≤ xx.x %	1
Electrical protection	Class II
Control gear required	No
Control gear type	LED driver constant current
Control gear mounting	Integrated
Dimmable	Yes
Dimming method	Other
Drive current (mA)	350
Inrush Current (A)	45
Inrush Duration (µs)	32
Glow Wire Test (°C)	650

START SURFACE IP66 1500LM 840 MW SENS EM3 IK10 WHT 0098603

Energy Efficiency Class (A->G) of contained light source	D
Nominal Frequency (Hz)	50/60Hz
LED Flickering Rate	Ultra low (5% or less)
Max. products per 10A C Breaker	45
Max. products per 13A C Breaker	58
Max. products per 16A C Breaker	72
Max. products per 20A C Breaker	90
Max. products per 10A B Breaker	22
Max. products per 13A B Breaker	35
Max. products per 16A B Breaker	43
Max. products per 20A B Breaker	53
Connectable conductor cross section - Min (mm ²)	0.75
Connectable conductor cross section - Max (mm ²)	2.5

LIFETIME DATA

Lifespan L70 B50	50000
------------------	-------

PHYSICAL DATA

Housing colour	RAL9003
IP rating	IP66
IK rating	IK10
Diffuser finish	Opal
Diffuser material	PC Polycarbonate
Nominal Product Height (mm)	111
Nominal Product Diameter (mm)	350
Weight (kg)	1.3

PACKAGING

Product EAN number	5410288986036
Packaging single length / height (cm)	40.0
Packaging single width (cm)	40.0

START SURFACE IP66 1500LM 840 MW SENS EM3 IK10 WHT
0098603

Packaging single depth (cm)	11.0
DUN14 (outer)	05410288986036
Units per outer package	1
Packaging outer length / height (cm)	40.0
Packaging outer width (cm)	40.0
Packaging outer depth (cm)	11.0

SAFETY DATA

Optimal operating condition (°C)	25-25
Special purpose lamp	No
Dry applications use only	No
Suitable for household illumination	No