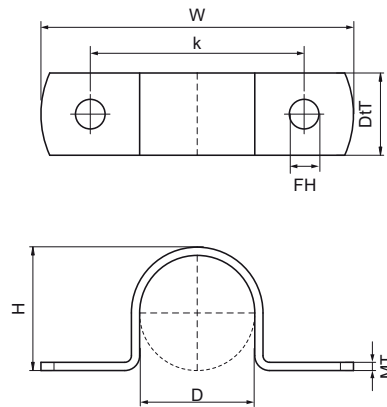


Walraven Pipe Saddle (Copper)

(B3015)

for copper pipes



Features & benefits

- one-part saddle
- material: copper 2.0060

Product Number	Fixing Hole	Heart To Heart Distance	Material Thickness	Total Height	Total Width	Total Depth	Maximum Allowed Load Faz
Reference letter	FH	k	MT	H	W	DtT	Fa,z
Unit description	mm	mm	mm	mm	mm	mm	N
4200008	4.5	22	0.50	9	34	10	100
4200012	4.5	28	0.50	13	40	10	100
4200015	4.5	31	0.50	16	43	10	100
4200018	4.5	34	0.50	18	46	10	100
4200022	4.5	38	0.50	23	50	10	100
4200028	4.5	44	0.50	29	56	10	100