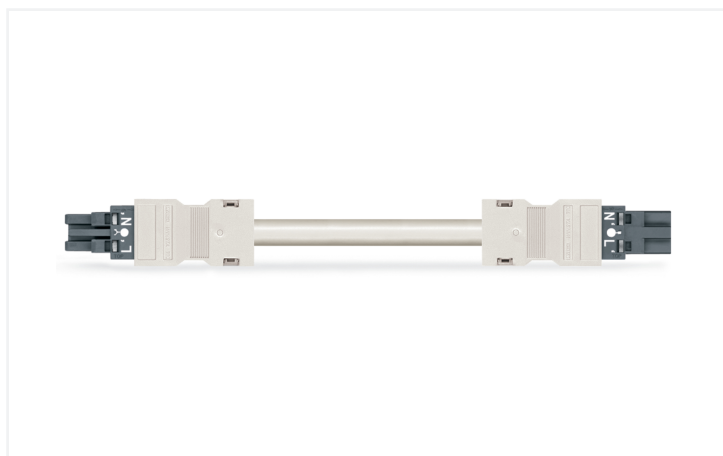


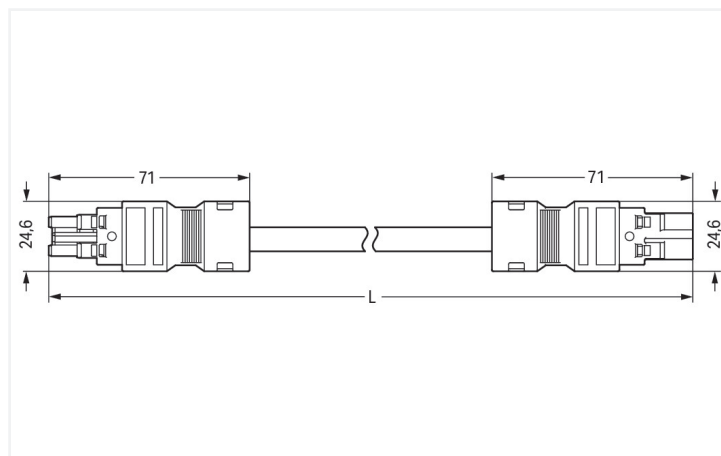
## Data Sheet | Item Number: 771-8982/006-804

pre-assembled interconnecting cable; Eca; Socket/plug; 2-pole; Cod. L; H05VV-F 2 x 1.5 mm<sup>2</sup>; 8 m; 1,50 mm<sup>2</sup>; dark gray

<https://www.wago.com/771-8982/006-804>



Color: ■ dark gray



Dimensions in mm

### Cable assembly WINSTA® MIDI with strain relief

The WINSTA® MIDI cable assembly rated current 16 A supports fast, reliable installation. On PCBs, in control cabinets or for connecting lights – pluggable installation connectors from WAGO allow you to make connections according to a huge variety of requirements in seconds. For greater security in electrical installations, the pluggable installation connector is provided with mechanical protection against mismatching. The pluggable installation connector offers touch-proof protection with live components in accordance with protection type IP20 (When mated: IP2xC (These compact connectors are not designed for use in open, easily accessible areas!)). WINSTA® MIDI pluggable installation connectors with L coding (2-pole or 5-pole) are ideal for supplying power to power supply units or small servo motors. WINSTA® MIDI with Push-in CAGE CLAMP® spring pressure connection technology is found in a broad range of individual products you can use for quick, easy, secure, tailored electrical installation. This product meets all the mandatory fire protection requirements of fire class E; thus it can be used in areas where fire safety is relevant.

### Fast, secure pluggable connections – cable assemblies from WAGO

A socket and a plug are available. The WINSTA® Pluggable Connection System allows pluggable electrical installation. This saves time, lowers costs, and reduces the need for servicing. Now you can also reduce installation costs without compromising safety and quality: with marking eliminates the need for servicing and prevents unnecessary downtime.

- pluggable installation connectors with protection against mismatching
- for automation controllers
- with L coding for use in supplying power to power supply units or small servo motors
- custom-engineered solutions
- quick replacement of defective units during ongoing operation

### Notes

Note Cables with a different fire class can be found in the eShop.

### Electrical data

| Ratings per                     | IEC/EN 60664-1 |     |    |
|---------------------------------|----------------|-----|----|
| Overvoltage category            | III            | III | II |
| Pollution degree                | 3              | 2   | 2  |
| Nominal voltage                 | 250 V          | -   | -  |
| Rated impulse withstand voltage | 4 kV           | -   | -  |
| Rated current                   | 16 A           | -   | -  |

### General information

Note on contact resistance approx. 1 mΩ of contact resistance  
approx. 0.25 mΩ contact transition plug/  
socket

## Connection Data

|                            |   |                     |                     |
|----------------------------|---|---------------------|---------------------|
| Total number of potentials | 2 | <b>Connection 1</b> |                     |
|                            |   | Pole number         | 2                   |
|                            |   | Wire cross-section  | 1.5 mm <sup>2</sup> |
|                            |   | Connection type     | Socket - Plug       |

## Physical data

|              |                        |
|--------------|------------------------|
| Pin spacing  | 10 mm / 0.394 inches   |
| Width        | 24.6 mm / 0.969 inches |
| Height       | 15.9 mm / 0.626 inches |
| Total length | 8 m                    |

## Mechanical data

|   |   |
|---|---|
| Use                                     | Emergency power supply  |
| Coding                                  | L   |
| Variable coding                         | No  |
| Marking                                 | L 'N'   |
| Potential marking                       | L 'N'   |
| Mating force of a plug-in connection    | approx. 20 ... 70 N (depending on pole number)  |
| Retention force of a plug-in connection | when locked: > 80N  |
| Unmating force of a plug-in connection  | when unlocked: approx. 20 ... 70 N (depending on pole number)   |
| Number of mating cycles                 | 200, without resistive load   |
| Connection type                         | Socket - Plug   |
| Type of pre-assembled cable             | Interconnecting cable   |
| Cable type                              | H05VV-F 2x1.5   |
| Protection type                         | IP20; When mated: IP2xC (These compact connectors are not designed for use in open, easily accessible areas!) |

## Plug-in connection

|                               |  |
|-------------------------------|--|
| Mismating protection          | Yes  |
| Note on mismating protection  | All <i>WINSTA</i> ® components are 100% protected against mismating when:<br>a.) plugging different numbers of poles<br>b.) plugging while rotated 180<br>c.) plugging while laterally staggered<br>d.) plugging one pole  |
| Locking lever                 | Can be retrofitted   |
| Locking of plug-in connection | Locking lever  |
| Note on locking system        | All connectors for mounted installations (snap-in versions for lighting fixtures or devices, all types of PCB and distribution connectors) are factory-equipped with locking levers to ensure plugs and sockets are securely locked. Additional locking levers are only required for flying leads (plug/socket). |

## Material data

|                                    |  |
|------------------------------------|--|
| Note (material data)               | <a href="#">Information on material specifications can be found here</a> |
| Color                              | dark gray  |
| Insulation material (main housing) | Polyamide (PA66)   |
| Flammability class per UL94        | V0   |
| Fire class per EN 50575            | E <sub>ca</sub>  |
| Contact material                   | Copper or copper alloy; surface-treated                                  |
| Contact Plating                    | Tin  |
| Fire load                          | 239.421 MJ   |
| Connector color                    | dark gray  |
| Strain relief color                | white  |
| Sheathed cable color               | white  |

### Material data

|                                  |            |
|----------------------------------|------------|
| Printing color of sheathed cable | black      |
| Halogen-free                     | No         |
| Silicon-free                     | Yes        |
| Sheath material                  | PVC        |
| Rubber cable                     | No         |
| Weight                           | 678.6 g    |
| Copper weight of the raw cable   | 0.029 kg/m |

### Environmental requirements

|  |   |
|--|---|
| Processing temperature                   | -5 ... +40 °C   |
| Continuous operating temperature         | -35 ... +85 °C  |
| Note on continuous operating temperature | Cable for temperatures ≤ 70 °C (including halogen-free)<br>Insulating parts for temperatures ≤ 105 °C |

### Commercial data

|                       |               |
|-----------------------|---------------|
| PU (SPU)              | 1 pcs         |
| Packaging type        | unpacked      |
| Country of origin     | DE            |
| GTIN                  | 4055143473712 |
| Customs tariff number | 85444290900   |

### Product Classification

|             |                      |
|-------------|----------------------|
| UNSPSC      | 26121629             |
| eCl@ss 10.0 | 27-44-06-04          |
| eCl@ss 9.0  | 27-44-06-04          |
| ETIM 9.0    | EC002587             |
| ETIM 10.0   | EC002587             |
| ECCN        | NO US CLASSIFICATION |

### Environmental Product Compliance

|                        |                         |
|------------------------|-------------------------|
| RoHS Compliance Status | Compliant, No Exemption |
|------------------------|-------------------------|

### Approvals / Certificates

#### General approvals



| Approval                              | Standard | Certificate Name |
|---------------------------------------|----------|------------------|
| CCA<br>DEKRA Certification B.V.       | EN 61535 | NTR NL-7355      |
| KEMA/KEUR<br>DEKRA Certification B.V. | EN 61535 | 71-123834        |

#### Declarations of conformity and manufacturer's declarations

| Approval   | Standard | Certificate Name |
|--|----------|------------------|
| EU-Declaration of Conformity<br>WAGO GmbH & Co. KG | -        | -                |
| UK-Declaration of Conformity<br>WAGO GmbH & Co. KG | -        | -                |

**Downloads**

**Environmental Product Compliance**

| Compliance Search                |  |  |   |
|----------------------------------|--|--|---|
| Environmental Product Compliance |  |  | ↓ |
| 771-8982/006-804                 |  |  |   |

**Documentation**

| Bid Text         |            |                 |   |
|------------------|------------|-----------------|---|
| 771-8982/006-804 | 19.02.2019 | xml<br>2.91 KB  | ↓ |
| 771-8982/006-804 | 03.12.2014 | doc<br>24.50 KB | ↓ |

**CAD/CAE-Data**

| CAE data         |   |
|------------------|---|
| WSCAD Universe   | ↓ |
| 771-8982/006-804 |   |

**1 Compatible Products**

**1.1 Required Accessories**

**1.1.1 Locking system**

**1.1.1.1 Locking system**

|  |  |  |  |
|--|--|--|--|
|  |  |  |  |
| <b>Item No.: 770-101</b><br>Locking lever; for flying leads; for manual operation; black | <b>Item No.: 770-121</b><br>Locking lever; for flying leads; for manual operation; white | <b>Item No.: 770-111</b><br>Locking lever; for flying leads; for tool operation; black | <b>Item No.: 770-131</b><br>Locking lever; for flying leads; for tool operation; white |

**1.2 Optional Accessories**

**1.2.1 Cover**

**1.2.1.1 Cover**

|  |  |   |   |
|--|--|---|---|
|  |  |   |   |
| <b>Item No.: 770-201</b><br>Lockout cap; 12-pole, separable; for sockets; Plastic; black | <b>Item No.: 770-221</b><br>Lockout cap; 12-pole, separable; for sockets; Plastic; white | <b>Item No.: 770-360</b><br>Lockout cap; for plugs; 5-pole; separable; yellow | <b>Item No.: 897-2003</b><br>Protective cap; Type2; for sockets and plugs; PVC; red |

## 1.2.2 Installation

### 1.2.2.1 Mounting accessories



**Item No.: 770-310**

Mounting carrier; 2- to 5-pole; for flying leads; black

## 1.2.3 Marking

### 1.2.3.1 Marking strip



**Item No.: 210-334**

Marking strips; as a DIN A4 sheet; Strip width 5 mm; Strip length 182 mm; plain; Self-adhesive; white