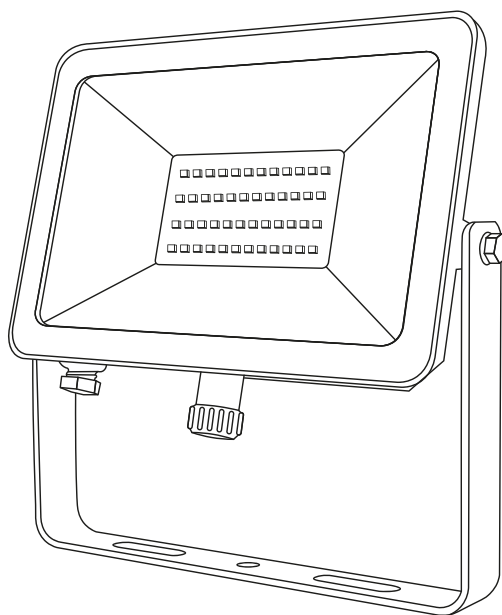




Read these instructions & save for future use

Floodlight eco | 30W | 120° | warm white 3000K



Article number **146-306**

Brand **Tronix Lighting**

Type **Floodlights**

Contents of this product **1x 30W floodlight 3000K**

Technical datasheet **Digitally available
on our webshop**



*View instructions and
technical data also on
our website*

TRONIX



Before first use

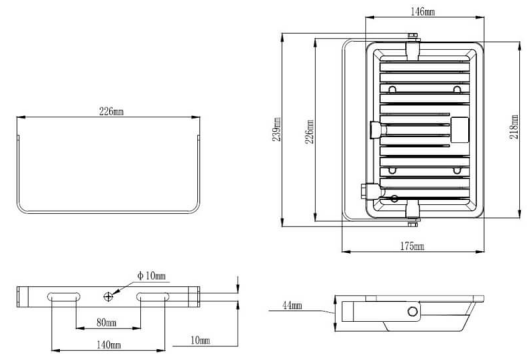
Before getting started with this product, it is advisable to check the order completeness and any damage. If this is the case, please contact Tronix Lighting.

Description

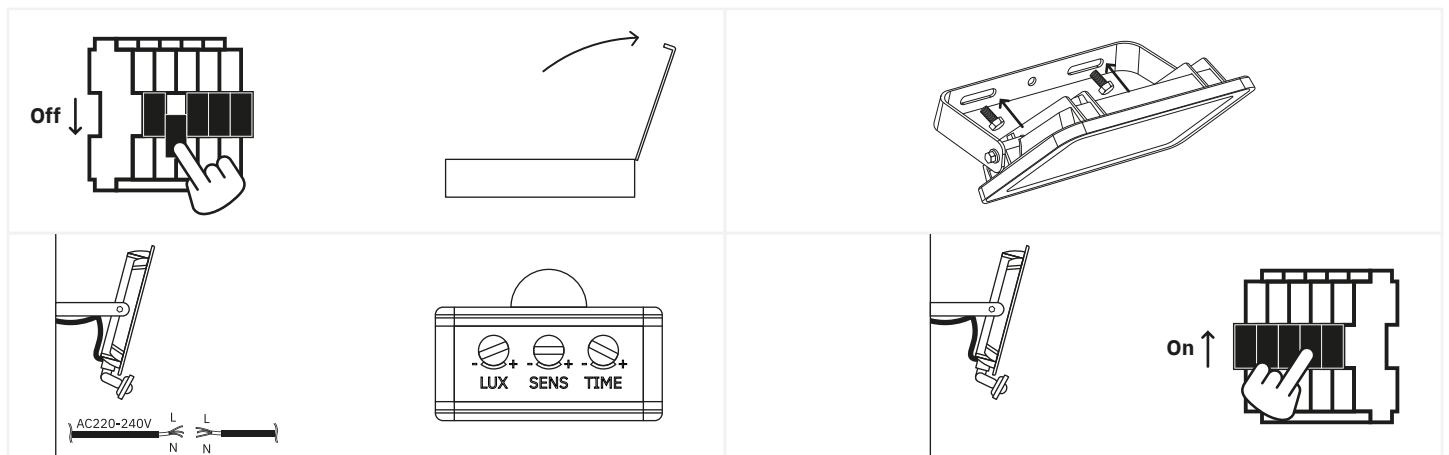
This professional floodlight features excellent value for money thanks to its strong set of LED chips. This gives you beautiful, strong light which is ideal for illuminating facades, billboards, parking lots or business premises.

Features

- 3x1.0 H05RN-F power cable with schuko plug. Very flexible and strong rubber cable;
- Overvoltage protection protects the fixture from surges;
- Optional motion or day/night sensor via Plug&Play cable gland;
- IP65;
- 3-year warranty.



Installation



1. Turn off the power and remove the product and accompanying parts from the packaging...;
2. Drill holes at the desired location on the wall and attach the bracket;
3. Attach the wiring at the bottom of the floodlight and place the PIR sensor if necessary. You can then further set it up with the elements below;
4. Check the complete installation when the floodlight is in place. Should it be in order, the mains power can be reactivated.



Safety

Safety is a top priority at Tronix Lighting. Therefore, we heartily recommend that you follow the following steps closely:

- Keep this manual carefully for future reference;
- Choose a qualified electrician while installing, maintaining or inspecting this product;
- Never look directly into a light source to avoid possible damage to the eye;
- Always ensure that the relevant power group is on non-active when the product is connected;
- Use only recommended combinations (LED drivers, controllers or dimmers) to avoid injury or damage to the product.

Technical problems and repair

Should a product not work properly after installation, or if the product exhibits problems over time, it is advisable to check the following elements:

- Check the wiring and installation of your product;
- Check for the presence of interfering elements such as dust, water or other electronics;
- If possible, try disconnecting the product and testing it in another location to rule out a problem at the location;
- Should you be dealing with a WIFI-based product, check and reset your router's settings.

Should the product still not work after testing, it is recommended to send it in for inspection and/or repair. To do so, please contact Tronix Lighting using nearby details and proof of purchase (packing slip).



CARE



SHARE



CONNECT

Supplier:

Tronix Lighting B.V

Vluchtoord 41
5406 XP Uden, Netherlands

+31 (0)413 330 380
sales@tronixlighting.com

Terms and symbols (as relevant to product)



The **CE mark** indicates that this product complies with EU regulations on safety, health and environmental protection;



The **WEEE symbol** stands for "Waste Electrical and Electronic Equipment Regulation," a directive on the collection, recycling and recovery of electronic waste;



The **Class I symbol** indicates that this product is protected by means of the additional ground cable. This cable is identified by the yellow/green jacket and is attached to this product.

- This product has an **IP65 rating**. This means the housing is touch-safe, fully protected from dust and spray-proof (12.5 L/min) regardless of angle.