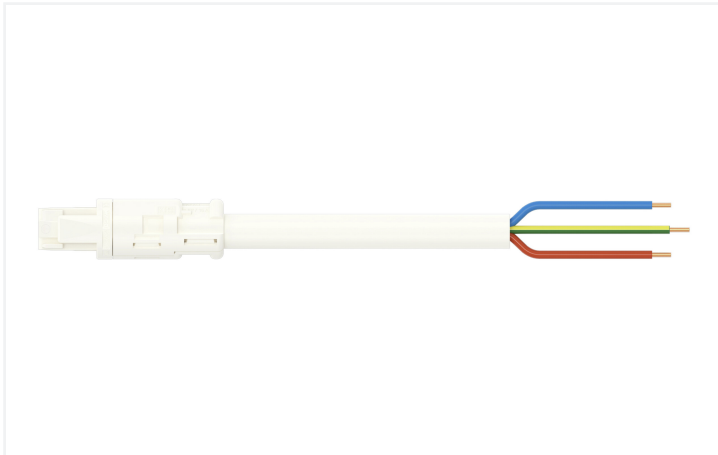


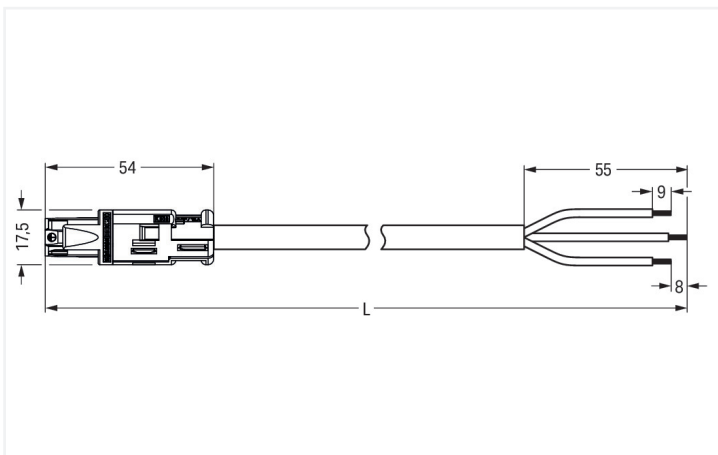
Data Sheet | Item Number: 774-9993/116-502

pre-assembled connecting cable; Eca; Socket/open-ended; 3-pole; Cod. A;
H05Z1Z1-F 3G 1.5 mm²; 5 m; 1,50 mm²; white

<https://www.wago.com/774-9993/116-502>



Color: ■ white



Dimensions in mm

Cable assembly WINSTA® RD with protection against mismatching

The WINSTA® RD cable assembly rated current 16 A is the pluggable solution for your application in control cabinets, on PCBs or for lighting connections. Our pluggable installation connectors with spring pressure connection technology function entirely without screw connections. They allow flexible, error-free installation in numerous applications. The color coding and mechanical coding of the pluggable installation connector ensure error-free



installation of the individual components – including protection against mismatching. The pluggable installation connector offers protection against contact with live components in accordance with protection type IP20 (When mated: IP2xC (These compact connectors are not designed for use in open, easily accessible areas!)). With WINSTA® RD, we have introduced a product line that fits perfectly into conduits or boreholes thanks to its design. According to the European CPR, the fire class of the cables used for construction is critical for the safety of buildings, too. For houses with medium-level safety requirements, cable assemblies with fire class E are suitable. The cable assembly is free of halogen. This eliminates the addition of environmental pollutants during production. It also achieves a higher fire class, since halogen-free materials are flame-resistant.

Fast, error-free assembly thanks to cable assemblies from WAGO

A socket and a free end are provided. WINSTA® is the pluggable connection system that is optimally tailored to the strict requirements of electrical installation. It offers error-free installation of cables and components, quickly and reliably. Choose durability and quality – with protection against mismatching from WAGO makes the electrical installation of electrical components significantly easier.

- effective protection against mismatching
- products perfectly tailored to your requirements guarantee safe use
- for any mains application
- exact dimensions
- convenient installation and commissioning

Notes	
Note	Cables with a different fire class can be found in the eShop.

Electrical data				
Ratings per	IEC/EN 60664-1			General information
Overvoltage category	III	III	II	Note on contact resistance approx. 1 mΩ of contact resistance approx. 0.25 mΩ contact transition plug/ socket
Pollution degree	3	2	2	
Nominal voltage	250 V	-	-	
Rated impulse withstand voltage	4 kV	-	-	
Rated current	16 A	-	-	

Connection Data		Connection 1	
Total number of potentials	3	Strip length	9 mm / 0.35 inches
PE function	Preceding PE contact	Pole number	3
Conductor preparation	ultrasonically tip-bonded	Wire cross-section	1.5 mm ²
		Strip length (outer insulation)	55 mm
		Connection type	Socket - free end

Physical data	
Width	17.5 mm / 0.689 inches
Height	17.5 mm / 0.689 inches
Total length	5 m

Mechanical data

Use	General mains applications
Coding	A
Variable coding	No
Marking	L ⊕ N
Mating force of a plug-in connection	Approx. 30 ... 70 N (depending on pole number)
Retention force of a plug-in connection	when locked: > 80N
Unmating force of a plug-in connection	Unlocked: approx. 30 ... 70 N (depending on pole number)
Number of mating cycles	200, without resistive load
Connection type	Socket - free end
Type of pre-assembled cable	Connecting cable
Cable type	H05Z1Z1-F 3G1.5
Protection type	IP20; When mated: IP2xC (These compact connectors are not designed for use in open, easily accessible areas!)

Plug-in connection

Mismating protection	Yes
Note on mismating protection	All <i>WINSTA</i> ® components are 100% protected against mismating when: a.) plugging different numbers of poles b.) plugging while incorrectly rotated c.) plugging while laterally staggered
Locking lever	Yes
Locking of plug-in connection	Locking lever

Material data

Note (material data)	Information on material specifications can be found here
Color	white
Insulation material (main housing)	Polyamide (PA66)
Fire class per EN 50575	E _{ca}
Contact material	Copper or copper alloy; surface-treated
Contact Plating	Tin
Fire load	149.399 MJ
Connector color	white
Strain relief color	white
Sheathed cable color	white
Printing color of sheathed cable	black
Halogen-free	Yes
Silicon-free	Yes
Sheath material	Halogen-free
Rubber cable	No
Weight	492.7 g
Copper weight of the raw cable	0.043 kg/m

Environmental requirements

Processing temperature	-5 ... +40 °C
Continuous operating temperature	-35 ... +85 °C
Note on continuous operating temperature	Cable for temperatures ≤ 70 °C (including halogen-free) Insulating parts for temperatures ≤ 105 °C

Commercial data

PU (SPU)	1 pcs
Packaging type	unpacked
Country of origin	DE
GTIN	4045454323110
Customs tariff number	85444290900

Product Classification

UNSPSC	26121629
eCl@ss 10.0	27-44-06-04
eCl@ss 9.0	27-44-06-04
ETIM 9.0	EC002587
ETIM 10.0	EC002587
ECCN	NO US CLASSIFICATION

Environmental Product Compliance

RoHS Compliance Status	Compliant, No Exemption
------------------------	-------------------------

Approvals / Certificates

General approvals



Approval	Standard	Certificate Name
CCA DEKRA Certification B.V.	-	NTR NL 6374
CCA DEKRA Certification B.V.	EN 61535	NTR NL-7969
CCA DEKRA Certification B.V.	EN 61984	NTR NL-7848
KEMA/KEUR DEKRA Certification B.V.	EN 61535	71-123229
KEMA/KEUR DEKRA Certification B.V.	EN 61984	71-114944
KEMA/KEUR DEKRA Certification B.V.	-	2118353.01

Declarations of conformity and manufacturer's declarations

Approval	Standard	Certificate Name
EU-Declaration of Confor- mity WAGO GmbH & Co. KG	-	-
UK-Declaration of Confor- mity WAGO GmbH & Co. KG	-	-

Downloads

Environmental Product Compliance

Compliance Search
Environmental Product Compliance 774-9993/116-502



Documentation

Bid Text

774-9993/116-502	19.02.2019	xml 3.04 KB	↓
774-9993/116-502	07.01.2015	doc 23.50 KB	↓

CAD/CAE-Data

CAD data

2D/3D Models 774-9993/116-502	↓
----------------------------------	---

CAE data

EPLAN Data Portal 774-9993/116-502	↓
WSCAD Universe 774-9993/116-502	↓
ZUKEN Portal 774-9993/116-502	↓