

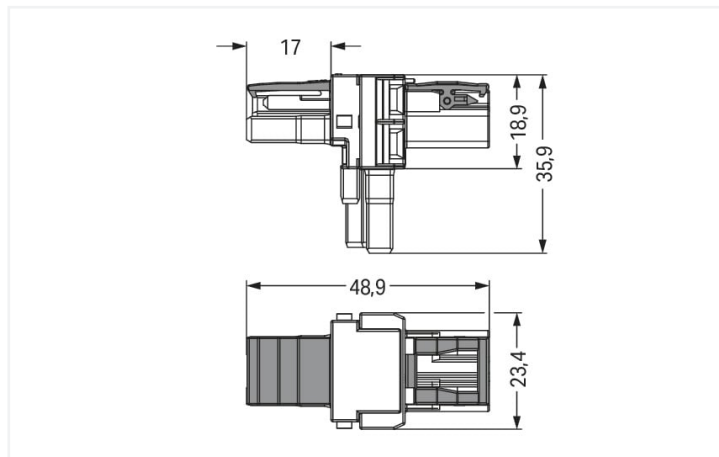
Data Sheet | Item Number: 770-1606

T-distribution connector; 2-pole; Cod. A; 1 input; 2 outputs; 2 locking levers; black

<https://www.wago.com/770-1606>



Color: ■ black



Dimensions in mm

Distribution connector WINSTA® MIDI A coding

The WINSTA® MIDI distribution connector rated current 25 A allows installation of fine-stranded and solid conductors. On PCBs, in control cabinets or for connecting lights – pluggable installation connectors from WAGO allow you to establish connections according to a huge variety of requirements in next to no time. The coding options reduce installation errors, allowing fast, maintenance-free wiring of all components. The pluggable installation connector is protected against ingress by solid objects in accordance with protection type IP20 (When mated: IP2xC (These compact connectors are not designed for use in open, easily accessible areas!)). General mains applications for almost any domain of use can be realised with WINSTA® MIDI pluggable installation connectors with A coding. This pluggable installation connector can be used for electrical currents up to 25 A. Thus the product is especially suitable for high power loads. The WINSTA® MIDI Pluggable Connection System with Push-in CAGE CLAMP® spring pressure connection technology facilitates precise electrification. Due to the included test slot, it is possible to check connections even when they are plugged in. That saves time and reduces installation labor and expense.

WINSTA® MIDI solutions for your electrical installation – protected against mismatching and maintenance-free

The WINSTA® Pluggable Connection System is perfectly tailored to the strict requirements of building installation. It makes electrical installation pluggable, and consequently faster, more reliable, and error-free. Use of this pre-assembled system decreases time spent on assembly and installation errors at the construction site. Now you can also reduce installation expenses without compromising safety and quality: with protection against mismatching reduces the need for servicing and prevents unnecessary downtime.

- protection against mismatching eliminates errors
- pre-assembled versions
- with A coding for use in a large number of general mains applications
- flexible installation to save space
- quick replacement of defective units during ongoing operation

Electrical data

| Ratings per | IEC/EN 60664-1 | | |
|----------------------|----------------|-----|----|
| Overvoltage category | III | III | II |
| Pollution degree | 3 | 2 | 2 |
| Nominal voltage | 250 V | - | - |
| Rated surge voltage | 4 kV | - | - |
| Rated current | 25 A | - | - |

| Approvals per | UL 1977 |
|---------------|---------|
| Rated voltage | 600 V |
| Rated current | 23 A |

General information

| | |
|----------------------------|--|
| Note on contact resistance | approx. 1 mΩ of contact resistance approx. 0.25 mΩ contact transition plug/ socket |
|----------------------------|--|

Connection data

| | | | |
|----------------------------|---|---------------------|---|
| Total number of potentials | 2 | Connection 1 | |
| | | Pole number | 2 |

Physical data

| | |
|-------------|------------------------|
| Pin spacing | 10 mm / 0.394 inches |
| Width | 23.5 mm / 0.925 inches |
| Height | 35.9 mm / 1.413 inches |
| Depth | 48.9 mm / 1.925 inches |

Mechanical data

| | |
|---|---|
| Application | General mains applications |
| Coding | A |
| Variable coding | No |
| Marking | L N |
| Potential marking | L N |
| Mating force of a plug-in connection | Approx. 20 ... 70 N (depending on pole number) |
| Retention force of a plug-in connection | When locked: > 80 N |
| Unmating force of a plug-in connection | Unlocked: approx. 20 ... 70 N (depending on pole number) |
| Number of mating cycles | 200, without resistive load |
| Type of distribution box | T-distribution connector |
| Protection type | IP20; When mated: IP2xC (These compact connectors are not designed for use in open, easily accessible areas!) |

Plug-in connection

| | |
|-------------------------------|--|
| Mismating protection | Yes |
| Note on mismating protection | All <i>WINSTA</i> ® components are 100% protected against mismating when: a.) plugging different numbers of poles b.) plugging while rotated 180 c.) plugging while laterally staggered d.) plugging one pole |
| Locking lever | Yes |
| Locking of plug-in connection | Locking lever |
| Note on locking system | All connectors for mounted installations (snap-in versions for lighting fixtures or devices, all types of PCB and distribution connectors) are factory-equipped with locking levers to ensure plugs and sockets are securely locked. Additional locking levers are only required for flying leads (plug/socket). |
| Number of locking levers | 2 |

Material data

| | |
|-----------------------------|--|
| Note (material data) | Information on material specifications can be found here |
| Color | black |
| Insulation material | Polyamide (PA66) |
| Flammability class per UL94 | V0 |
| Contact material | Copper or copper alloy; surface-treated |
| Contact plating | Tin |
| Fire load | 0.239 MJ |
| Weight | 11 g |

| Environmental requirements | |
|--|--|
| Processing temperature | -5 ... +40 °C |
| Continuous operating temperature | -35 ... +85 °C |
| Note on continuous operating temperature | Insulating parts for temperatures ≤ 105 °C |

| Commercial data | |
|-----------------------|---------------|
| Product Group | 20 (Winsta) |
| eCl@ss 10.0 | 27-44-06-03 |
| eCl@ss 9.0 | 27-44-06-03 |
| ETIM 8.0 | EC002567 |
| ETIM 7.0 | EC002567 |
| PU (SPU) | 50 pcs |
| Packaging type | Box |
| Country of origin | DE |
| GTIN | 4050821531326 |
| Customs tariff number | 85366990990 |

| Environmental Product Compliance | |
|----------------------------------|-------------------------|
| RoHS Compliance Status | Compliant, No Exemption |

Approvals / Certificates

General approvals



| Approval | Standard | Certificate Name |
|--|----------|------------------|
| cURus Underwriters Laboratories Inc. | UL 1977 | E45171 |
| cURus Underwriters Laboratories Inc. | UL 1059 | E 45172 |

Downloads

Environmental Product Compliance

| Compliance Search | |
|---|-------------------|
| Environmental Product Compliance 770-1606 | ↓ |

Documentation

Bid Text

| | | | |
|----------|------------|-----------------|---|
| 770-1606 | 19.02.2019 | xml 2.71 KB | ↓ |
| 770-1606 | 12.03.2015 | doc 22.50 KB | ↓ |

CAD/CAE-Data

CAD data

2D/3D Models
770-1606



CAE data

WSCAD Universe
770-1606



1 Compatible Products

1.1 System counterpart

1.1.1 Cable assembly



Item No.: [771-8992/206-101](#)

pre-assembled connecting cable; Eca; Plug/open-ended; 2-pole; Cod. A; H05VV-F 2 x 1.5 mm²; 1 m; 1,50 mm²; black



Item No.: [771-8992/106-101](#)

pre-assembled connecting cable; Eca; Socket/open-ended; 2-pole; Cod. A; H05VV-F 2 x 1.5 mm²; 1 m; 1,50 mm²; black



Item No.: [771-8992/006-101](#)

pre-assembled interconnecting cable; Eca; Socket/plug; 2-pole; Cod. A; H05VV-F 2 x 1.5 mm²; 1 m; 1,50 mm²; black

1.1.2 Female connector/socket



Item No.: [770-202](#)

Socket; 2-pole; Cod. A; 4,00 mm²; black



Item No.: [770-102/041-000](#)

Socket; with strain relief housing; 2-pole; Cod. A; 4,00 mm²; black

1.1.3 Male connector/plug



Item No.: [770-212](#)

Plug; 2-pole; Cod. A; 4,00 mm²; black



Item No.: [770-112/041-000](#)

Plug; with strain relief housing; 2-pole; Cod. A; 4,00 mm²; black

1.2 Optional Accessories

1.2.1 Cover

1.2.1.1 Cover



Item No.: [770-201](#)

Lockout cap; 12-pole, separable; for sockets; Plastic; black



Item No.: [770-221](#)

Lockout cap; 12-pole, separable; for sockets; Plastic; white



Item No.: [770-360](#)

Lockout cap; for plugs; 5-pole; separable; yellow