

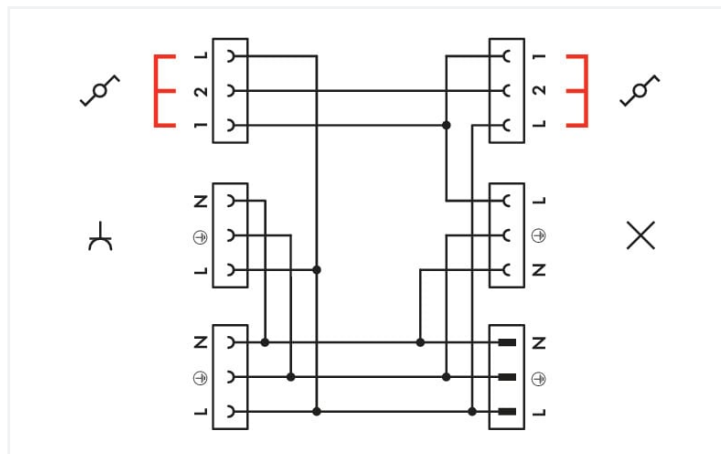
Data Sheet | Item Number: 770-1373/149-000

Shorting plug; with assembled strain relief housing; 3-pole; Cod. S; Bridge 1-2, 2-L;
4,00 mm²; brown

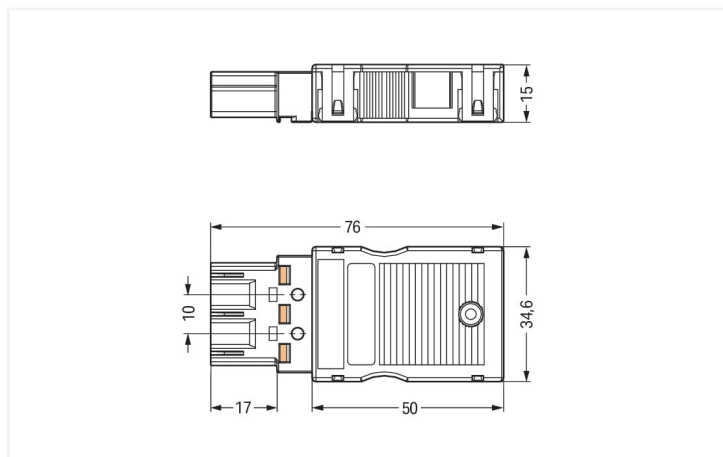
<https://www.wago.com/770-1373/149-000>



Color: ■ brown



Internal circuit of 770-638 Distribution Connector with possible insertion positions of 770-1373/14x-000 Shorting Plug



Dimensions in mm

Jumper WINSTA® MIDI S coding

When using the jumper from the WINSTA® MIDI product line with a current rating of 25 A, error-free electrical installation is ensured. You can rely on the quality of WINSTA® components from WAGO for your electrical installation accessories too. The coding options reduce installation errors, allowing fast, maintenance-free wiring of all components. The accessory is protected in accordance with protection type IP20 (When mated and secured with a strain relief housing: IP2xC (These compact connectors are not designed for use in open, easily accessible areas!)). That results in the fact that users' fingers will never come into contact with energised contact elements. The S coding in brown marks accessories of the WINSTA® MIDI product line, which are made for utilisation in AC applications. This accessory is designed for a load of up to 25 A. Thus, it can also be used for high power loads. Our WINSTA® MIDI product line achieves total flexibility for the electrical installation. Through its Push-in CAGE CLAMP® spring pressure connection technology, it achieves error-free, time-saving installation and offers flexibility and customization for meeting an enormous variety of installation requirements.

WINSTA® MIDI solutions for your electrical installation – protected against mismatching and maintenance-free

WINSTA® is the pluggable connection system that is ideally tailored to the strict requirements of electrical installation. It ensures error-free installation of cables and components, quickly and reliably. Enjoy the benefits of the pluggable version of our maintenance-free spring pressure connection technology tool! Plan your installation with WINSTA® MIDI accessories with marking from WAGO.

- effective protection against mismatching
- pre-assembled versions
- with S coding for AC applications of distributed components
- quick replacement of defective units during ongoing operation

Electrical data

Ratings per IEC/EN

Rated current	25 A
Legend (ratings)	(III / 3) Δ Overvoltage category III / Pollution degree 3

Approvals per

UL 1977

Rated voltage	600 V
Rated current	23 A

Connection data

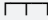
Connection 1

Connection technology	Push-in CAGE CLAMP®
Pole number	3

Physical data

Pin spacing	10 mm / 0.394 inches
Width	34.6 mm / 1.362 inches
Height	15 mm / 0.591 inches
Depth	76 mm / 2.992 inches

Mechanical data

Internal wiring	4 mm ²
Application	Switching function
Coding	S
Variable coding	No
Marking	
Protection type	IP20; When mated and secured with a strain relief housing: IP2xC (These compact connectors are not designed for use in open, easily accessible areas!)
Suitable	for distribution connectors; series and two-way circuits

Plug-in connection

Contact type (pluggable connector)	Male connector/plug
Connector (connection type)	for pluggable connector
Mismating protection	Yes
Locking lever	No
Strain relief	Strain relief housing

Material data

Note (material data)	Information on material specifications can be found here
Color	brown
Insulation material	Polyamide (PA66)
Flammability class per UL94	V0
Clamping spring material	Chrome-nickel spring steel (CrNi)
Contact material	Copper or copper alloy; surface-treated
Fire load	7.08 MJ
Connector color	brown
Weight	27.8 g

Environmental requirements

Processing temperature	-5 ... +40 °C
Continuous operating temperature	-35 ... +85 °C
Note on continuous operating temperature	Insulating parts for temperatures ≤ 105 °C

Commercial data

eCl@ss 10.0	27-44-06-05
eCl@ss 9.0	27-44-06-05
ETIM 8.0	EC002560
ETIM 7.0	EC002560
PU (SPU)	25 pcs
Packaging type	Box
Country of origin	DE
GTIN	4045454148300
Customs tariff number	85366990990

Environmental Product Compliance

RoHS Compliance Status	Compliant, No Exemption
------------------------	-------------------------

Approvals / Certificates

General approvals



Approval	Standard	Certificate Name
CCA DEKRA Certification B.V.	EN 61535	71-123228
CCA DEKRA Certification B.V.	IEC 61535	NL -84761
cURus Underwriters Laboratories Inc.	UL 1059	E 45172

Declarations of conformity and manufacturer's declarations

Approval	Standard	Certificate Name
EU-Declaration of Confor- mity WAGO GmbH & Co. KG	-	-

Approvals for marine applications



Approval	Standard	Certificate Name
ABS American Bureau of Ship- ping	-	19-HG1868589-PDA
DNV GL Det Norske Veritas, Ger- manischer Lloyd	-	TAE00001Z6
LR Lloyds Register	IEC 61984	LR22429487TA

Downloads

Environmental Product Compliance

Compliance Search

Environmental Product Compliance
770-1373/149-000



Documentation

Bid Text

770-1373/149-000	19.02.2019	xml 2.81 KB	
770-1373/149-000	12.03.2015	doc 22.50 KB	

CAD/CAE-Data

CAE data

EPLAN Data Portal
770-1373/149-000



WSCAD Universe
770-1373/149-000



1 Compatible Products

1.1 Required Accessories

1.1.1 Cover

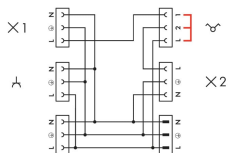
1.1.1.1 Cover



[Item No.: 770-360](#)

Lockout cap; for plugs; 5-pole; separable; yellow

Installation Notes



Internal circuit of 770-637 Distribution Connector with possible insertion position of 770-1373/14x-000 Shorting Plug

Subject to changes. Please also observe the further product documentation!

Current addresses can be found at: www.wago.com