

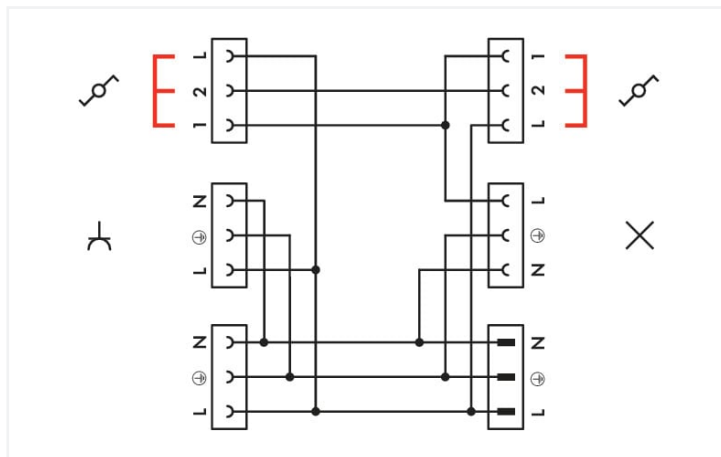
Data Sheet | Item Number: 770-1373/148-000

Shorting plug; with assembled strain relief housing; 3-pole; Cod. S; Bridge 2-L; 4,00 mm²; brown

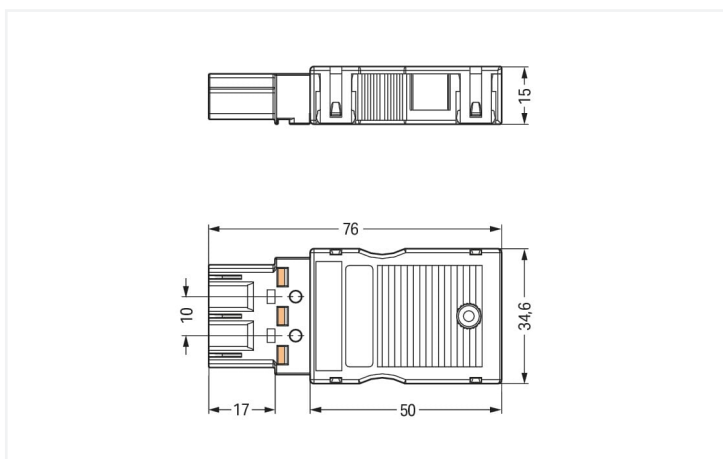
<https://www.wago.com/770-1373/148-000>



Color: ■ brown



Internal circuit of 770-638 Distribution Connector with possible insertion positions of 770-1373/14x-000 Shorting Plug



Dimensions in mm

Jumper WINSTA® MIDI rated current 25 A

The jumper from the WINSTA® MIDI product line with a current rating of 25 A is the intelligent solution for straightforward installation. An extensive range of accessories complements the WINSTA® product line from WAGO. The mechanical coding and color coding of the accessory ensure error-free installation of the individual components – including protection against mismating. The accessory offers touch-proof protection with live components in accordance with protection type IP20 (When mated and secured with a strain relief housing: IP2xC (These compact connectors are not designed for use in open, easily accessible areas!)). Outlets and light switches can be integrated into the system with the help of WINSTA® MIDI accessories with S coding in brown. The rated current and voltage are important criteria for selecting an accessory: They provide information about possible domains of use and applications. This product has a current rating of 25 A – therefore it is also suitable for robust loads. WINSTA® MIDI with Push-in CAGE CLAMP® spring pressure connection technology is found in a broad range of individual products you can use for quick, easy and maximally flexible installation.

WINSTA® MIDI solutions for your electrical installation – protected against mismating and maintenance-free

The WINSTA® Pluggable Connection System allows pluggable electrical installation. This significantly reduces the need for servicing and lowers costs. Choose durability and quality – the WINSTA® MIDI accessory with protection type IP20 from WAGO makes the installation of electrical components substantially easier.

- accessories with protection against mismating
- pre-assembled versions
- with S coding for use in components such as motors or frequency converters
- quick replacement of defective units during ongoing operation

Electrical data

Ratings per IEC/EN

Rated current	25 A
Legend (ratings)	(III / 3) Δ Overvoltage category III / Pollution degree 3

Approvals per

UL 1977

Rated voltage	600 V
Rated current	23 A

Connection data

Connection 1

Connection technology	Push-in CAGE CLAMP®
Pole number	3

Physical data

Pin spacing	10 mm / 0.394 inches
Width	34.6 mm / 1.362 inches
Height	15 mm / 0.591 inches
Depth	76 mm / 2.992 inches

Mechanical data

Internal wiring	4 mm ²
Application	Switching function
Coding	S
Variable coding	No
Marking	□
Protection type	IP20; When mated and secured with a strain relief housing: IP2xC (These compact connectors are not designed for use in open, easily accessible areas!)
Suitable	for distribution connectors; series and two-way circuits

Plug-in connection

Contact type (pluggable connector)	Male connector/plug
Connector (connection type)	for pluggable connector
Mismatching protection	Yes
Locking lever	No
Strain relief	Strain relief housing

Material data

Note (material data)	Information on material specifications can be found here
Color	brown
Insulation material	Polyamide (PA66)
Flammability class per UL94	V0
Clamping spring material	Chrome-nickel spring steel (CrNi)
Contact material	Copper or copper alloy; surface-treated
Fire load	3.78 MJ
Connector color	brown
Weight	23.2 g

Environmental requirements

Processing temperature	-5 ... +40 °C
Continuous operating temperature	-35 ... +85 °C
Note on continuous operating temperature	Insulating parts for temperatures ≤ 105 °C

Commercial data

eCl@ss 10.0	27-44-06-05
eCl@ss 9.0	27-44-06-05
ETIM 8.0	EC002560
ETIM 7.0	EC002560
PU (SPU)	25 pcs
Packaging type	Box
Country of origin	DE
GTIN	4045454148317
Customs tariff number	85366990990

Environmental Product Compliance

RoHS Compliance Status	Compliant, No Exemption
------------------------	-------------------------

Approvals / Certificates

General approvals



Approval	Standard	Certificate Name
CCA DEKRA Certification B.V.	EN 61535	71-123228
CCA DEKRA Certification B.V.	IEC 61535	NL -84761
cURus Underwriters Laboratories Inc.	UL 1059	E 45172

Declarations of conformity and manufacturer's declarations

Approval	Standard	Certificate Name
EU-Declaration of Confor- mity WAGO GmbH & Co. KG	-	-

Approvals for marine applications



Approval	Standard	Certificate Name
ABS American Bureau of Ship- ping	-	19-HG1868589-PDA
DNV GL Det Norske Veritas, Ger- manischer Lloyd	-	TAE00001Z6
LR Lloyds Register	IEC 61984	LR22429487TA

Downloads

Environmental Product Compliance

Compliance Search	
Environmental Product Compliance 770-1373/148-000	↓

Documentation

Bid Text			
770-1373/148-000	19.02.2019	xml 2.80 KB	↓
770-1373/148-000	12.03.2015	doc 22.50 KB	↓

CAD/CAE-Data

CAE data	
EPLAN Data Portal 770-1373/148-000	↓
WSCAD Universe 770-1373/148-000	↓

1 Compatible Products

1.1 Required Accessories

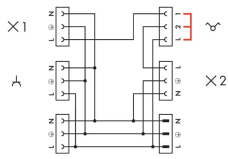
1.1.1 Cover

1.1.1.1 Cover



Item No.: 770-360
Lockout cap; for plugs; 5-pole; separable;
yellow

Installation Notes



Internal circuit of 770-637 Distribution Connector with possible insertion position of 770-1373/14x-000 Shorting Plug