

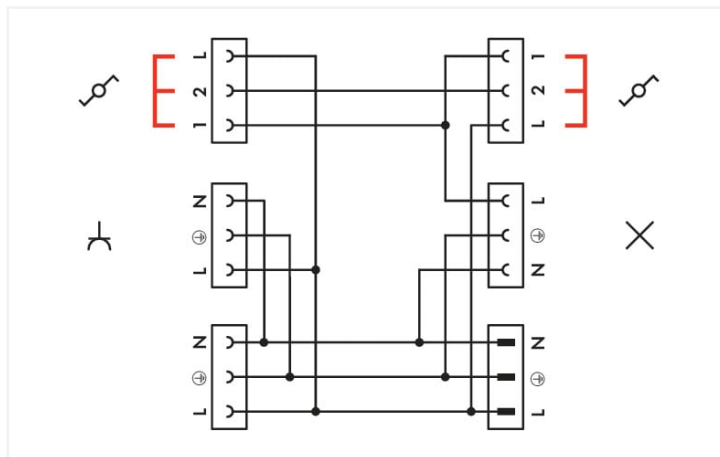
Data Sheet | Item Number: 770-1373/147-000

Shorting plug; with assembled strain relief housing; 3-pole; Cod. S; Bridge 1-L; 4,00 mm²; brown

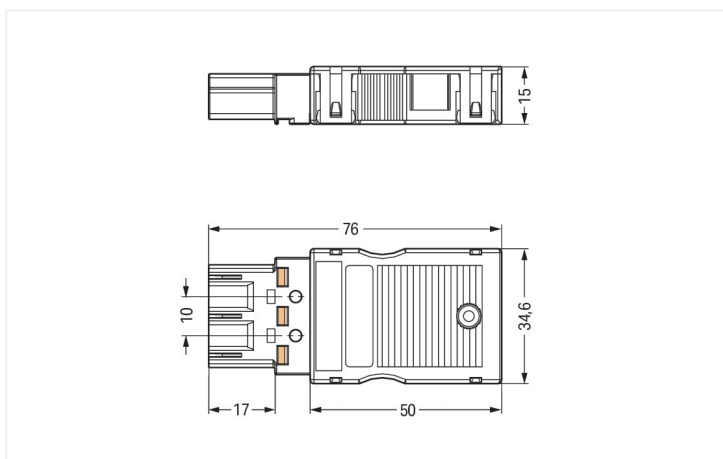
<https://www.wago.com/770-1373/147-000>



Color: ■ brown



Internal circuit of 770-638 Distribution Connector with possible insertion positions of 770-1373/14x-000 Shorting Plug



Dimensions in mm

Jumper WINSTA® MIDI with protection against mismatching

Realize the electrical installation effortlessly: The jumper from the WINSTA® MIDI product line with a current rating of 25 A is the solution for quick, straightforward installation. An extensive range of accessories rounds out the WINSTA® product line from WAGO. The color coding and mechanical coding of the accessory ensure error-free installation of the individual components – including protection against mismatching. The accessory is protected in accordance with protection type IP20 (When mated and secured with a strain relief housing: IP2xC (These compact connectors are not designed for use in open, easily accessible areas!)). This means that users' fingers will never come into contact with energised elements. Light switches and outlets can be integrated with the help of WINSTA® MIDI accessories with S coding in brown. This accessory can be employed for a load of up to 25 A. Thus, it can also be used for high power loads. Our WINSTA® MIDI product line offers flexibility for the electrical installation. With its Push-in CAGE CLAMP® spring pressure connection technology, it achieves error-free, time-saving installation and offers customization and flexibility for meeting various installation requirements.

WINSTA® MIDI solutions for your electrical installation – protected against mismatching and maintenance-free

WINSTA® is the pluggable connection system that is ideally tailored to the strict requirements of electrical installation. It allows fast, secure and, above all, error-free installation of components and cables. Now you can also lower installation expenses without compromising safety and quality: The WINSTA® MIDI accessory with protection against mismatching reduces the need for servicing and prevents unnecessary downtime.

- effective protection against mismatching
- pre-assembled versions
- for AC applications
- fast, secure installation

Electrical data

Ratings per IEC/EN		Approvals per		UL 1977
Rated current	25 A	Rated voltage		600 V
Legend (ratings)	(III / 3) Δ Overvoltage category III / Pollution degree 3	Rated current		23 A


Connection data

Connection 1	
Connection technology	Push-in CAGE CLAMP®
Pole number	3

Physical data

Pin spacing	10 mm / 0.394 inches
Width	34.6 mm / 1.362 inches
Height	15 mm / 0.591 inches
Depth	76 mm / 2.992 inches

Mechanical data

Internal wiring	4 mm ²
Application	Switching function
Coding	S
Variable coding	No
Marking	
Protection type	IP20; When mated and secured with a strain relief housing: IP2xC (These compact connectors are not designed for use in open, easily accessible areas!)
Suitable	for distribution connectors; series and two-way circuits

Plug-in connection

Contact type (pluggable connector)	Male connector/plug
Connector (connection type)	for pluggable connector
Mismatching protection	Yes
Locking lever	No
Strain relief	Strain relief housing

Material data

Note (material data)	Information on material specifications can be found here
Color	brown
Insulation material	Polyamide (PA66)
Flammability class per UL94	V0
Clamping spring material	Chrome-nickel spring steel (CrNi)
Contact material	Copper or copper alloy; surface-treated
Fire load	3.78 MJ
Connector color	brown
Weight	23.2 g

Environmental requirements

Processing temperature	-5 ... +40 °C
Continuous operating temperature	-35 ... +85 °C
Note on continuous operating temperature	Insulating parts for temperatures ≤ 105 °C

Commercial data

eCl@ss 10.0	27-44-06-05
eCl@ss 9.0	27-44-06-05
ETIM 8.0	EC002560
ETIM 7.0	EC002560
PU (SPU)	25 pcs
Packaging type	Box
Country of origin	DE
GTIN	4045454148324
Customs tariff number	85366990990

Environmental Product Compliance

RoHS Compliance Status	Compliant, No Exemption
------------------------	-------------------------

Approvals / Certificates

General approvals



Approval	Standard	Certificate Name
CCA DEKRA Certification B.V.	EN 61535	71-123228
CCA DEKRA Certification B.V.	IEC 61535	NL -84761
cURus Underwriters Laboratories Inc.	UL 1059	E 45172

Declarations of conformity and manufacturer's declarations

Approval	Standard	Certificate Name
EU-Declaration of Confor- mity WAGO GmbH & Co. KG	-	-

Approvals for marine applications



Approval	Standard	Certificate Name
ABS American Bureau of Ship- ping	-	19-HG1868589-PDA
DNV GL Det Norske Veritas, Ger- manischer Lloyd	-	TAE00001Z6
LR Lloyds Register	IEC 61984	LR22429487TA

Downloads

Environmental Product Compliance

Compliance Search	
Environmental Product Compliance 770-1373/147-000	↓

Documentation

Bid Text			
770-1373/147-000	19.02.2019	xml 2.80 KB	↓
770-1373/147-000	12.03.2015	doc 22.50 KB	↓

CAD/CAE-Data

CAE data	
EPLAN Data Portal 770-1373/147-000	↓
WSCAD Universe 770-1373/147-000	↓

1 Compatible Products

1.1 Required Accessories

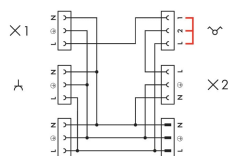
1.1.1 Cover

1.1.1.1 Cover



Item No.: 770-360
Lockout cap; for plugs; 5-pole; separable;
yellow

Installation Notes



Internal circuit of 770-637 Distribution Connector with possible insertion position of 770-1373/14x-000 Shorting Plug