

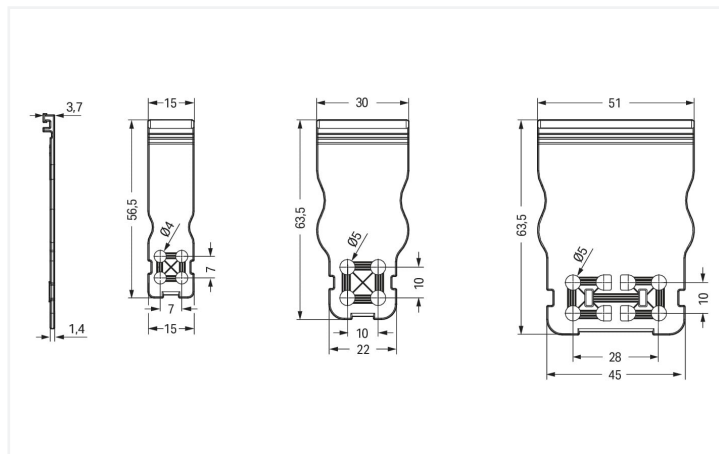
## Data Sheet | Item Number: 831-503

Strain relief plate; for female and male connectors; 15 mm wide; 1 part; Pin spacing 7.62 mm; light gray

<https://www.wago.com/831-503>



Color: ■ light gray



Dimensions in mm

The arrangement of the attachments for cable ties allows single conductors or multi-core cables to be secured in different ways. The width of the cable ties must correspond to the hole dimensions of the strain relief plates shown above.

### Physical data

Width	15 mm / 0.591 inches
Height	3.7 mm / 0.146 inches
Depth	56.5 mm / 2.224 inches

### Mechanical data

Suitable	for standard male and female connectors
----------	---

### Material data

Note (material data)	<a href="https://www.wago.com/us/material-specifications">Information on material specifications can be found here</a>
Color	light gray
Material group	I
Insulation material	Polyamide (PA66)
Flammability class per UL94	V0
Fire load	0 MJ
Weight	1.2 g

### Commercial data

eCl@ss 10.0	27-14-11-92
eCl@ss 9.0	27-14-11-92
ETIM 8.0	EC002848
ETIM 7.0	EC002848
PU (SPU)	96 (24) pcs
Packaging type	Box
Country of origin	DE
GTIN	4055143368698
Customs tariff number	85389099990

### Environmental Product Compliance

RoHS Compliance Status

Compliant, No Exemption

### Downloads

#### Environmental Product Compliance

##### Compliance Search

Environmental Product  
Compliance 831-503



### Documentation

#### Additional Information

Technical Section

03.04.2019

pdf

2010.85 KB



### CAD/CAE-Data

#### CAD data

2D/3D Models 831-503



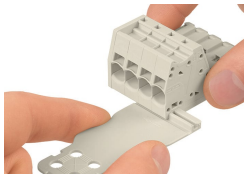
#### CAE data

ZUKEN Portal 831-503



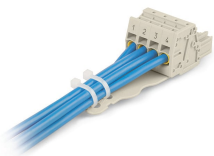
### Installation Notes

#### Installation



Strain relief plate, for field assembly

### Application



Strain relief plate, for factory assembly  
1-conductor female conductor, 4-pole,  
7.62 mm pin spacing, light gray  
(831-3104/135-000)

Subject to changes. Please also observe the further product documentation!

Current addresses can be found at: [www.wago.com](http://www.wago.com)