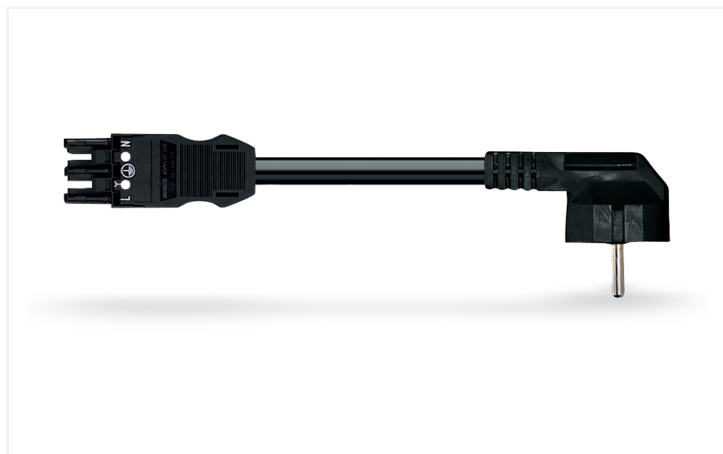


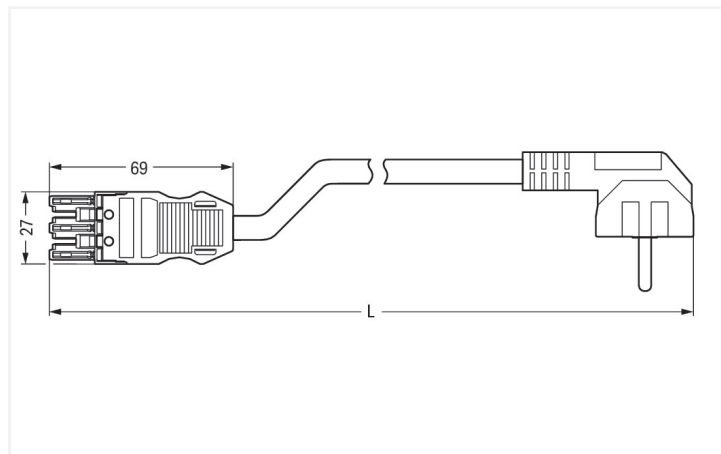
Data Sheet | Item Number: 771-9993/306-301

pre-assembled adapter cable; Eca; Socket/SCHUKO plug; 3-pole; Cod. A; H05VV-F
3G 1.5 mm²; 3 m; 1,50 mm²; black

<https://www.wago.com/771-9993/306-301>



Color: ■ black



Dimensions in mm

Cable assembly WINSTA® MIDI with strain relief

The WINSTA® MIDI cable assembly A coding supports rapid, correct installation. On PCBs, in control cabinets or for connecting lights – pluggable installation connectors from WAGO allow you to make connections according to an enormous variety of requirements in next to no time. For greater protection in electrical installations, the pluggable installation connector is provided with mechanical protection against mismatching. The pluggable installation connector offers protection against contact with live components in accordance with protection type IP20 (When mated: IP2xC (These compact connectors are not designed for use in open, easily accessible areas!)). The WINSTA® MIDI pluggable installation connector with A coding in black or white is usually used for general mains applications in power distribution. WINSTA® MIDI with Push-in CAGE CLAMP® spring pressure connection technology is found in can be found in a variety of projects you can use for quick, easy, secure, tailored electrical installation. This product meets all the mandatory fire protection requirements of fire class E; therefore it can be used in areas where fire safety is relevant.

Pluggable connections instead of screw connections – cable assemblies from WAGO

The cable assembly is equipped with a socket and schuko plug, angled. WINSTA® is the pluggable connection system that is optimally tailored to the strict requirements of electrical installation. It offers error-free installation of cables and components, quickly and reliably. Choose durability and quality – with protection against mismatching from WAGO makes the installation of electrical components noticeably easier.

- pluggable installation connectors with protection against mismatching
- pre-assembled versions
- with A coding for a great number of uses
- flexible installation to save space
- convenient installation and commissioning

Notes

Note Cables with a different fire class can be found in the eShop.

Electrical data

Ratings per	IEC/EN 60664-1		
Overvoltage category	III	III	II
Pollution degree	3	2	2
Nominal voltage	250 V	-	-
Rated impulse withstand voltage	4 kV	-	-
Rated current	16 A	-	-

General information

Note on contact resistance approx. 1 mΩ of contact resistance
approx. 0.25 mΩ contact transition plug/
socket

Connection Data

Total number of potentials	3	Connection 1	
PE function	Preceding PE contact	Pole number	3
		Wire cross-section	1.5 mm ²
		Connection type	Socket - SCHUKO plug, angled

Physical data

Pin spacing	10 mm / 0.394 inches
Width	36.5 mm / 1.437 inches
Height	56 mm / 2.205 inches
Total length	3 m

Mechanical data

Use	General mains applications
Coding	A
Variable coding	Yes
Marking	L ⊕ N
Potential marking	L ⊕ N
Mating force of a plug-in connection	approx. 20 ... 70 N (depending on pole number)
Retention force of a plug-in connection	when locked: > 80N
Unmating force of a plug-in connection	when unlocked: approx. 20 ... 70 N (depending on pole number)
Number of mating cycles	200, without resistive load
Connection type	Socket - SCHUKO plug, angled
Type of pre-assembled cable	Adapter cable
Cable type	H05VV-F 3G1.5
Protection type	IP20; When mated: IP2xC (These compact connectors are not designed for use in open, easily accessible areas!)

Plug-in connection

Mismating protection	Yes
Note on mismating protection	All <i>WINSTA</i> ® components are 100% protected against mismating when: a.) plugging different numbers of poles b.) plugging while rotated 180 c.) plugging while laterally staggered d.) plugging one pole
Locking lever	Can be retrofitted
Locking of plug-in connection	Locking lever
Note on locking system	All connectors for mounted installations (snap-in versions for lighting fixtures or devices, all types of PCB and distribution connectors) are factory-equipped with locking levers to ensure plugs and sockets are securely locked. Additional locking levers are only required for flying leads (plug/socket).

Material data

Note (material data)	Information on material specifications can be found here
Color	black
Insulation material (main housing)	Polyamide (PA66)
Fire class per EN 50575	E _{ca}
Contact material	Copper or copper alloy; surface-treated
Contact Plating	Tin
Fire load	30.29 MJ
Connector color	black
Strain relief color	black
Printing color of strain relief	white
Sheathed cable color	black

Material data

Halogen-free	No
Silicon-free	Yes
Sheath material	PVC
Rubber cable	No
Weight	355.4 g
Copper weight of the raw cable	0.043 kg/m

Environmental requirements

Processing temperature	-5 ... +40 °C
Continuous operating temperature	-35 ... +85 °C
Note on continuous operating temperature	Cable for temperatures ≤ 70 °C (including halogen-free) Insulating parts for temperatures ≤ 105 °C

Commercial data

PU (SPU)	1 pcs
Packaging type	unpacked
Country of origin	DE
GTIN	4044918586535
Customs tariff number	85444290900

Product Classification

UNSPSC	26121629
eCl@ss 10.0	27-44-06-04
eCl@ss 9.0	27-44-06-04
ETIM 9.0	EC002587
ETIM 10.0	EC002587
ECCN	NO US CLASSIFICATION

Environmental Product Compliance

RoHS Compliance Status	Compliant, No Exemption
SCIP notification number (Austria)	a8fde6b4-9c4e-48b7-97d1-c47df9d369a7
SCIP notification number (Belgium)	b4432e61-3a88-40a7-baec-e625991777d3
SCIP notification number (Bulgaria)	0fb64310-ccd9-4530-b9e0-41fba25215a8
SCIP notification number (Czech Republic)	4062340f-1b68-4ab2-9129-106f52bb1374
SCIP notification number (Denmark)	5c07ee95-08cf-415d-aefa-5e804397baf4
SCIP notification number (Finland)	47b2c969-819a-4c7a-b645-eadc9320070
SCIP notification number (France)	f90d253b-daa3-4418-af37-792ca43f9867
SCIP notification number (Germany)	b7e22959-b34a-4648-b426-54a17e2b60be
SCIP notification number (Hungary)	a00a5043-4bdd-4c88-a69d-40069a4880ee
SCIP notification number (Italy)	8aa65add-7df5-4e9c-8161-6a861d84c464
SCIP notification number (Netherlands)	5069543c-f472-41ab-bd8e-5ef0deab8526
SCIP notification number (Poland)	2081e2d7-0e88-4902-9f04-2220d2223c24
SCIP notification number (Romania)	3a2b59d2-4b8c-4e54-aa3e-5dda366e46cb
SCIP notification number (Sweden)	73826131-de14-494e-8509-3dd341f326b6

Approvals / Certificates

General approvals



Approval	Standard	Certificate Name
CCA DEKRA Certification B.V.	EN 61535	NTR NL-7355
KEMA/KEUR DEKRA Certification B.V.	EN 61535	71-123834

Declarations of conformity and manufacturer's declarations

Approval	Standard	Certificate Name
EU-Declaration of Confor- mity WAGO GmbH & Co. KG	-	-
UK-Declaration of Confor- mity WAGO GmbH & Co. KG	-	-

Downloads

Environmental Product Compliance

Compliance Search

Environmental Product Compliance 771-9993/306-301	↓
---	-------------------

Documentation

Bid Text

771-9993/306-301	19.02.2019	xml 2.96 KB	↓
771-9993/306-301	04.12.2014	doc 23.00 KB	↓

CAD/CAE-Data

CAE data

EPLAN Data Portal 771-9993/306-301	↓
WSCAD Universe 771-9993/306-301	↓

1 Compatible Products

1.1 Required Accessories

1.1.1 Locking system

1.1.1.1 Locking system



[Item No.: 770-101](#)
Locking lever; for flying leads; for manual operation; black

[Item No.: 770-121](#)
Locking lever; for flying leads; for manual operation; white

[Item No.: 770-111](#)
Locking lever; for flying leads; for tool operation; black

[Item No.: 770-131](#)
Locking lever; for flying leads; for tool operation; white

1.2 Optional Accessories

1.2.1 Cover

1.2.1.1 Cover



Item No.: 770-201

Lockout cap; 12-pole, separable; for sockets; Plastic; black



Item No.: 770-221

Lockout cap; 12-pole, separable; for sockets; Plastic; white



Item No.: 897-2003

Protective cap; Type2; for sockets and plugs; PVC; red

1.2.2 Installation

1.2.2.1 Mounting accessories



Item No.: 770-310

Mounting carrier; 2- to 5-pole; for flying leads; black

1.2.3 Marking

1.2.3.1 Marker



Item No.: 770-450/000-006

Marker card; Plastic; blue



Item No.: 770-450/000-001

Marker card; Plastic; green



Item No.: 770-450/000-012

Marker card; Plastic; orange



Item No.: 770-450/000-005

Marker card; Plastic; red



Item No.: 770-450

Marker card; Plastic; white



Item No.: 770-450/000-002

Marker card; Plastic; yellow

1.2.3.2 Marking strip



Item No.: 210-334

Marking strips; as a DIN A4 sheet; Strip width 5 mm; Strip length 182 mm; plain; Self-adhesive; white