



Signalling Hooter HPW 12

All-purpose signalling device for dry and damp rooms

- ▶ All-purpose signalling device for dry and damp rooms as well as outdoor use
- ▶ Protection degree IP 55
- ▶ Impact-resistant thermoplastic
- ▶ Volume: approx. 108 dB(A), 1 m

Application

The HPW 12 signalling hooter is a signalling device for warning and calling which, thanks to its sturdy housing, can be used indoors in both dry and damp rooms as well as outside.

Design

The driver system consists of a strong, non-polarised electromagnet, whose striker hits the diaphragm between 100 and 120 times a second. The housing of the signalling hooter is made of impact-resistant thermoplastic.

A self-sealing grommet M 20 is provided as cable gland for cable diameters of 8–12 mm.

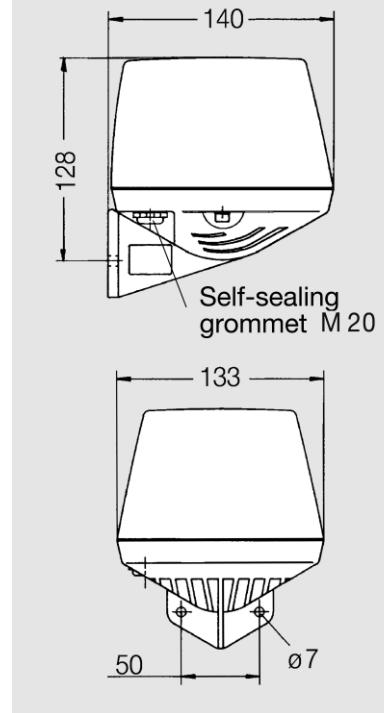
Fault signalling on a machining centre

The housing of the signalling hooter is made of impact-resistant thermoplastic.

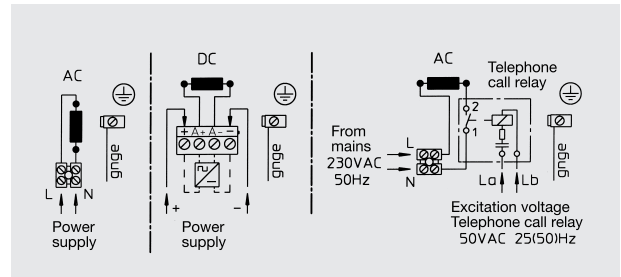


Technical specifications

Housing	Thermoplastic, impact-resistant
Colour	Grey
Protection degree	IP 55 acc. to IEC 60529
Protection class	II
Cable gland	Self-sealing grommet M 20, for cable diameters of 8–12 mm
Connection terminals	Cross section: 1.5 mm ²
Operating conditions	Indoors and outdoors
Operating position	Mouth downwards
Operating mode	Continuous
Volume	Approx. 108 dB(A), 1m (Regarding volume specifications, please see the chapter "Technical Informations".)
Temperature range	
Operation	-20° C to +60° C
Storage	-30° C to +80° C
Weight	Approx. 0.9 kg



Wiring diagram



Order information

Type	Name	Rated voltage U _e	Operating voltage range U _e	Current consumption	Article no.
HPW 12	Signalling Hooter	6 V 50 Hz	+10/-15 %	3.4 A	212 261 01
HPW 12	Signalling Hooter	12 V 50 Hz	+10/-15 %	1.2 A	212 261 02
HPW 12	Signalling Hooter	24 V 50 Hz	+10/-15 %	0.65 A	212 261 03
HPW 12	Signalling Hooter	42 V 50 Hz	+10/-15 %	0.3 A	212 261 04
HPW 12	Signalling Hooter	60 V 50 Hz	+10/-15 %	0.25 A	212 261 05
HPW 12	Signalling Hooter	110 V 50 Hz	+10/-15 %	0.15 A	212 261 06
HPW 12	Signalling Hooter	230 V 50 Hz	+ 6/-10 %	0.07 A	212 261 07
HPW 12	Signalling Hooter	120 V 60 Hz	+10/-15 %	0.15 A	212 262 06
HPW 12	Signalling Hooter	240 V 60 Hz	+10/-15 %	0.07 A	212 262 07
HPW 12	Signalling Hooter	6 VDC	+10/-15 %	1.0 A	212 261 11
HPW 12	Signalling Hooter	12 VDC	+10/-15 %	0.6 A	212 261 12
HPW 12	Signalling Hooter	24 VDC	+10/-15 %	0.3 A	212 261 13
HPW 12	Signalling Hooter	48 VDC	+10/-15 %	0.24 A	212 261 14
HPW 12	Signalling Hooter	60 VDC	+10/-15 %	0.15 A	212 261 15
HPW 12	Signalling Hooter	110 VDC	+10/-15 %	0.08 A	212 261 16
HPW 12	Signalling Hooter	220 VDC	+10/-15 %	0.05 A	212 261 17

Subject to change without notice · Printout 03/08