

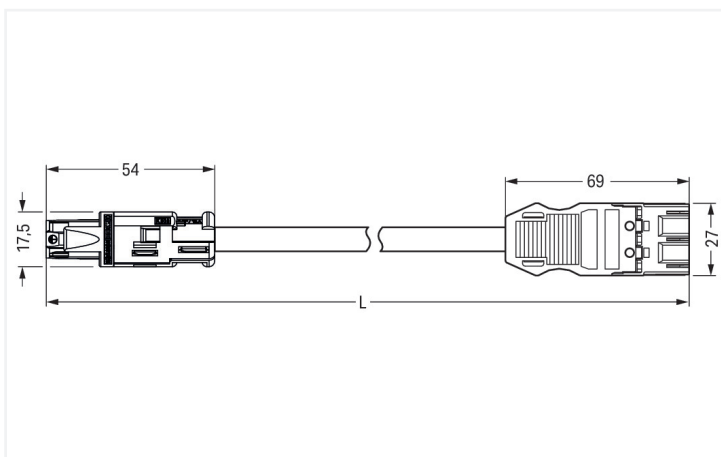
**Data Sheet | Item Number: 774-9993/1507-101**

pre-assembled adapter cable; Eca; Socket/plug MIDI; 3-pole; Cod. A; H05VV-F 3G  
2.5 mm<sup>2</sup>; 1 m; 2,50 mm<sup>2</sup>; black

<https://www.wago.com/774-9993/1507-101>



Color: ■ black



Dimensions in mm

**Cable assembly WINSTA® RD with protection against mismatching**

The WINSTA® RD cable assembly A coding allows installation of fine-stranded and solid conductors. On PCBs, in control cabinets or for connecting lights – pluggable installation connectors from WAGO allow you to make connections according to an enormous variety of requirements in no time flat. The coding options reduce installation errors, allowing fast, maintenance-free wiring of all components. The pluggable installation connector is protect-

ed in accordance with protection type IP20 (When mated: IP2xC (These compact connectors are not designed for use in open, easily accessible areas!)). That results in the fact that users' fingers will never come into contact with live elements. This pluggable installation connector can be used for electrical currents up to 20 A. Thus the product is especially suitable for high power loads. The WINSTA® RD offers a round design that is ideal for use in conduits with an inner diameter of 20 mm, such as in the prefabricated house sector. According to the European CPR, the fire class of the cables used for construction is critical for the safety of buildings as well. For houses with average safety requirements, cable assemblies with fire class E are suitable.

Fast, error-free assembly thanks to cable assemblies from WAGO

The cable is pre-assembled with a RD socket and a MIDI plug. The WINSTA® Pluggable Connection System allows pluggable electrical installation. This saves time, lowers costs, and reduces the need for servicing. Take advantage of the pluggable version of our maintenance-free spring pressure connection technology too! Plan your installation with with protection type IP20 from WAGO.

- effective protection against mismatching
- products perfectly tailored to your requirements guarantee safe use
- with A coding for use in many general mains applications
- exact dimensions
- quick replacement of defective units during ongoing operation

## Notes

Note Cables with a different fire class can be found in the eShop.

## Electrical data

Ratings per	IEC/EN 60664-1		
Overvoltage category	III	III	II
Pollution degree	3	2	2
Nominal voltage	250 V	-	-
Rated impulse withstand voltage	4 kV	-	-
Rated current	20 A	-	-

## General information

Note on contact resistance approx. 1 mΩ of contact resistance  
approx. 0.25 mΩ contact transition plug/socket

## Connection Data

Total number of potentials 3

## Connection 1

Pole number 3  
Wire cross-section 2.5 mm<sup>2</sup>  
Connection type RD socket - MIDI plug

## Physical data

Width 27 mm / 1.063 inches  
Height 17.5 mm / 0.689 inches  
Total length 1 m

## Mechanical data

Use General mains applications  
Coding A  
Marking L ⊕ N  
Potential marking N ⊕ L  
Mating force of a plug-in connection Approx. 30 ... 70 N (depending on pole number)  
Retention force of a plug-in connection when locked: > 80N  
Unmating force of a plug-in connection Unlocked: approx. 30 ... 70 N (depending on pole number)  
Number of mating cycles 200, without resistive load  
Connection type RD socket - MIDI plug  
Type of pre-assembled cable Adapter cable  
Cable type H05VV-F 3G2.5

### Mechanical data

Protection type	IP20; When mated: IP2xC (These compact connectors are not designed for use in open, easily accessible areas!)
-----------------	---

### Plug-in connection

Mismating protection	Yes
Note on mismating protection	All <i>WINSTA</i> ® components are 100% protected against mismating when: a.) plugging different numbers of poles b.) plugging while incorrectly rotated c.) plugging while laterally staggered
Locking of plug-in connection	Locking lever

### Material data

Note (material data)	<a href="#">Information on material specifications can be found here</a>
Color	black
Insulation material (main housing)	Polyamide (PA66)
Fire class per EN 50575	E <sub>ca</sub>
Contact material	Copper or copper alloy; surface-treated
Contact Plating	Tin
Fire load	29.131 MJ
Connector color	black
Strain relief color	black
Sheathed cable color	black
Printing color of sheathed cable	white
Halogen-free	No
Silicon-free	Yes
Sheath material	PVC
Rubber cable	No
Weight	171 g
Copper weight of the raw cable	0.072 kg/m

### Environmental requirements

Processing temperature	-5 ... +40 °C
Continuous operating temperature	-35 ... +85 °C
Note on continuous operating temperature	Cable for temperatures ≤ 70 °C (including halogen-free) Insulating parts for temperatures ≤ 105 °C

### Commercial data

PU (SPU)	1 pcs
Packaging type	unpacked
Country of origin	DE
GTIN	4050821572756
Customs tariff number	85444290900

**Product Classification**

UNSPSC	26121629
eCl@ss 10.0	27-44-06-04
eCl@ss 9.0	27-44-06-04
ETIM 9.0	EC002587
ETIM 10.0	EC002587
ECCN	NO US CLASSIFICATION

**Environmental Product Compliance**

RoHS Compliance Status	Compliant, No Exemption
------------------------	-------------------------

**Approvals / Certificates**

**General approvals** **Declarations of conformity and manufacturer's declarations**



Approval	Standard	Certificate Name
CCA DEKRA Certification B.V.	EN 61535	NTR NL-7969
CCA DEKRA Certification B.V.	EN 61984	NTR NL-7848
KEMA/KEUR DEKRA Certification B.V.	EN 61535	71-123229
KEMA/KEUR DEKRA Certification B.V.	EN 61984	71-114944

Approval	Standard	Certificate Name
EU-Declaration of Confor- mity WAGO GmbH & Co. KG	-	-
UK-Declaration of Confor- mity WAGO GmbH & Co. KG	-	-

**Downloads**

**Environmental Product Compliance**

**Compliance Search**

Environmental Product Compliance 774-9993/1507-101	↓
---	---

**Documentation**

**Bid Text**

774-9993/1507-101	19.02.2019	xml 2.95 KB	↓
774-9993/1507-101	19.02.2015	doc 23.50 KB	↓

## CAD/CAE-Data

### CAD data

2D/3D Models  
774-9993/1507-101



### CAE data

EPLAN Data Portal  
774-9993/1507-101



## 1 Compatible Products

### 1.1 Required Accessories

#### 1.1.1 Cover

##### 1.1.1.1 Cover



**Item No.: 770-360**

Lockout cap; for plugs; 5-pole; separable;  
yellow

#### 1.1.2 Locking system

##### 1.1.2.1 Locking system



**Item No.: 770-101**

Locking lever; for flying leads; for manual  
operation; black



**Item No.: 770-121**

Locking lever; for flying leads; for manual  
operation; white



**Item No.: 770-111**

Locking lever; for flying leads; for tool  
operation; black



**Item No.: 770-131**

Locking lever; for flying leads; for tool  
operation; white