

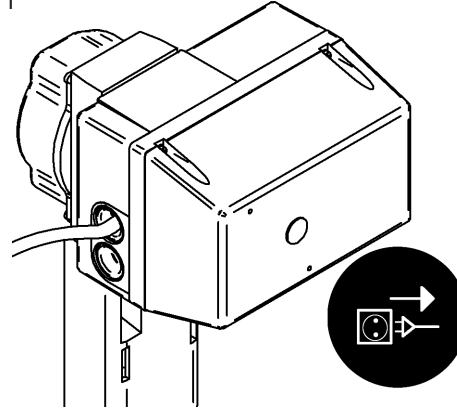
SpaceLogic M700

Circuit Board Installation Instructions

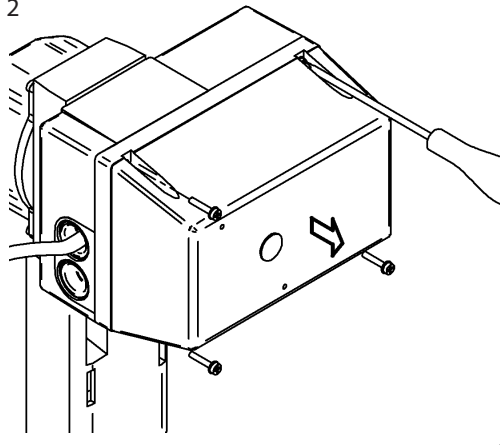


Hot media hazard. Before removing circuit board from actuator, ensure that the valve is in emergency position. Work should be carried out by a competent engineer.

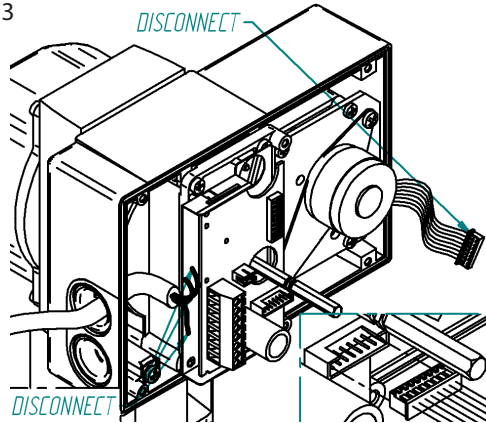
1



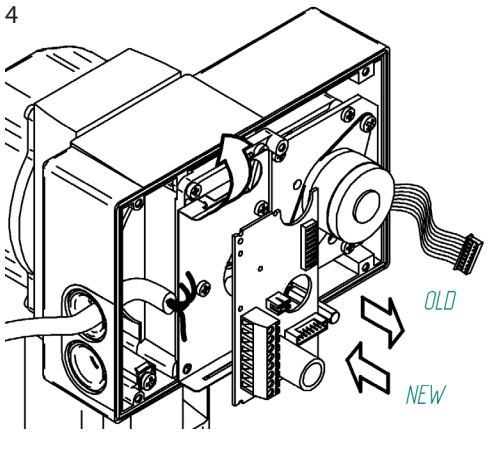
2



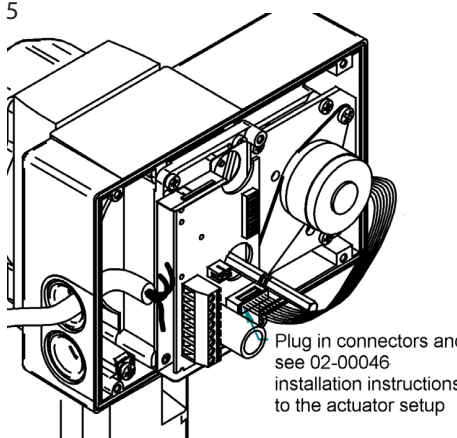
3



4



5



Plug in connectors and see 02-00046 installation instructions to the actuator setup

