

**445W** **GB**  
Series



Higher power generation better LCOE



n-type with very Lower LID



Better Temperature Coefficient



Better low irradiance response



12-year product warranty



30-year linear power output warranty

**n-type Bifacial Double Glass  
High Efficiency Mono Module  
JAM54D40 GB Black Frame**

**420-445**

**Comprehensive Certificates**

- IEC 61215, IEC 61730
- ISO 9001: 2015 Quality management systems
- ISO 14001: 2015 Environmental management systems
- ISO 45001: 2018 Occupational health and safety management systems
- IEC 62941: 2019 Terrestrial photovoltaic (PV) modules Quality system for PV module manufacturing

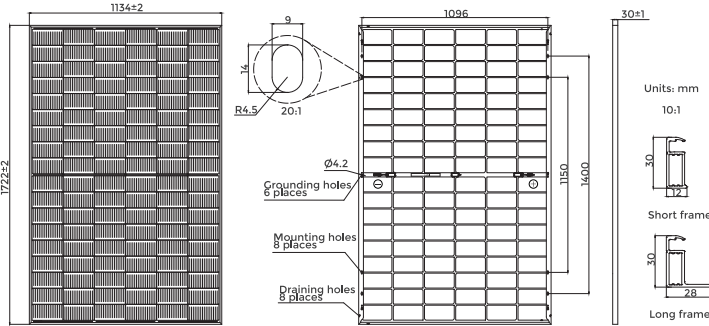




# 445W

# 420-445

JAM54D40



Remark: customized frame color and cable length available upon request

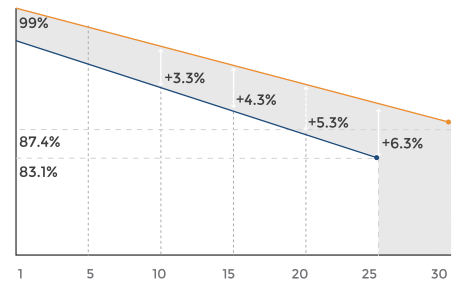
Cell	Mono
Weight	21.5kg
Dimensions	1722±2mm×1134±2mm×30±1mm
Cable Cross Section Size	4mm <sup>2</sup> (IEC), 12 AWG(UL)
No. of cells	108(6×18)
Junction Box	IP68, 3 diodes
Connector	QC 4.10-351/ MC4-EVO2A
Cable Length (Including Connector)	Portrait: 300mm(+)/400mm(-); Landscape: 1200mm(+)/1200mm(-)
Front Glass/Back Glass	1.6mm/1.6mm
Packaging Configuration	36pcs/Pallet, 936pcs/40HQ Container

## ELECTRICAL PARAMETERS AT STC

TYPE	JAM54D40 -420/GB	JAM54D40 -425/GB	JAM54D40 -430/GB	JAM54D40 -435/GB	JAM54D40 -440/GB	JAM54D40 -445/GB
Rated Maximum Power(Pmax) [W]	420	425	430	435	440	445
Open Circuit Voltage(Voc) [V]	38.28	38.56	38.84	39.11	39.38	39.65
Maximum Power Voltage(Vmp) [V]	32.38	32.64	32.88	33.13	33.37	33.64
Short Circuit Current(Isc) [A]	13.65	13.70	13.75	13.80	13.85	13.90
Maximum Power Current(Imp) [A]	12.97	13.02	13.08	13.13	13.18	13.23
Module Efficiency [%]	21.5	21.8	22.0	22.3	22.5	22.8
Power Tolerance	0~+3%					
Temperature Coefficient of Isc(α <sub>Isc</sub> )	+0.046%/C					
Temperature Coefficient of Voc(β <sub>Voc</sub> )	-0.260%/C					
Temperature Coefficient of Pmax(γ <sub>Pmp</sub> )	-0.290%/C					
STC	Irradiance 1000W/m <sup>2</sup> , cell temperature 25 C, AM1.5G					

## Superior Warranty

1% 1st-year Degradation  
 0.4% Annual Degradation Over 30 years



- n-type Bifacial Double Glass Module Linear Performance Warranty
- Standard Module Linear Performance Warranty

## ELECTRICAL CHARACTERISTICS WITH 10% SOLAR IRRADIATION RATIO

TYPE	JAM54D40 -420/GB	JAM54D40 -425/GB	JAM54D40 -430/GB	JAM54D40 -435/GB	JAM54D40 -440/GB	JAM54D40 -445/GB
Rated Max Power(Pmax) [W]	454	459	464	470	475	481
Open Circuit Voltage(Voc) [V]	38.28	38.56	38.84	39.11	39.38	39.65
Max Power Voltage(Vmp) [V]	32.38	32.64	32.88	33.13	33.37	33.64
Short Circuit Current(Isc) [A]	14.74	14.80	14.85	14.90	14.96	15.01
Max Power Current(Imp) [A]	14.01	14.06	14.12	14.18	14.24	14.29
Irradiation Ratio (rear/front)	10%					

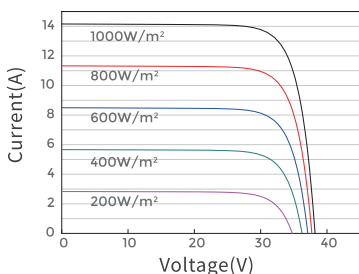
\*Bifaciality=Pmax,rear/Rated Pmax,front

## OPERATING CONDITIONS

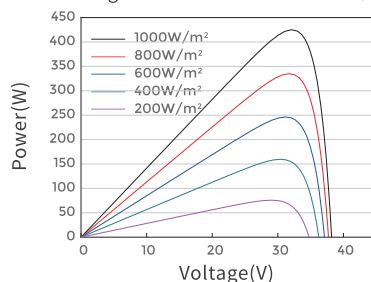
Maximum System Voltage	1500V DC
Operating Temperature	-40 C ~+85 C
Maximum Series Fuse Rating	30A
Maximum Static Load,Front	5400Pa(112 lb/ft <sup>2</sup> )
Maximum Static Load,Back	2400Pa(50 lb/ft <sup>2</sup> )
NOCT	45±2 C
Bifaciality*	80%±10%
Fire Performance	UL Type 38

## CHARACTERISTICS

Current-Voltage Curve JAM54D40-425/GB



Power-Voltage Curve JAM54D40-425/GB



Current-Voltage Curve JAM54D40-425/GB

