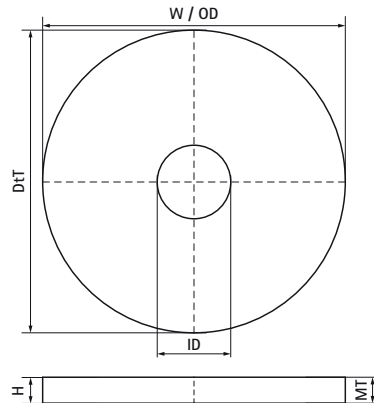


Walraven RapidStrut® Washer - Flat (BUP1000)

(H2480)

to make Strut rail fabrications



Features & benefits

- flat washer
- material: steel 1.0332
- product is part of the Walraven Walraven UltraProtect® 1000 system
- suitable for in- and outdoor applications
- stands min. 1,000 hours salt spray test (max. 5% red rust) according to ISO 9227
- Also available in stainless steel 1.4401 (AISI 316).
- Ø 10.5 and above tested for fire safety.

Product Number	VVS Number	For Rail Type	Total Height	Total Width	Total Length	Inner Diameter	Outer Diameter	Material Thickness
<i>Reference letter</i>			<i>H</i>	<i>W</i>	<i>L</i>	<i>ID</i>	<i>OD</i>	<i>MT</i>
<i>Unit description</i>			<i>mm</i>	<i>mm</i>	<i>mm</i>	<i>mm</i>	<i>mm</i>	<i>mm</i>
65381508	018043481	41x21, 41x41, 41x51, 41x62, 41x82	3	40	40	8.4	40	3.00
65381510	018043482	41x21, 41x41, 41x51, 41x62, 41x82	3	40	40	10.5	40	3.00
65381512	018043483	41x21, 41x41, 41x51, 41x62, 41x82	3	40	40	13	40	3.00