

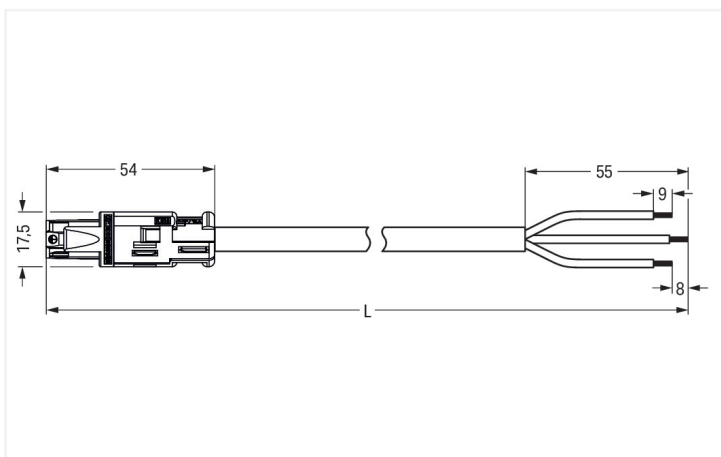
**Data Sheet | Item Number: 774-9993/116-501**

pre-assembled connecting cable; Eca; Socket/open-ended; 3-pole; Cod. A;  
H05Z1Z1-F 3G 1.5 mm<sup>2</sup>; 5 m; 1,50 mm<sup>2</sup>; black

<https://www.wago.com/774-9993/116-501>



Color: ■ black



Dimensions in mm

Cable assembly *WINSTA*® RD rated current 16 A

The *WINSTA*® RD cable assembly with protection against mismatching supports rapid, correct installation. WAGO pluggable installation connectors are used when specifications repeat or are distributed on a specific grid, for example for installing grid lighting or flush-mount lighting. The coding options reduce installation errors, allowing fast, maintenance-free wiring of all components. The pluggable installation connector offers protection against con-

tact with live components in accordance with protection type IP20 (When mated: IP2xC (These compact connectors are not designed for use in open, easily accessible areas!)). The WINSTA® RD features a round design that is ideal for installation in conduits with an inner diameter of 20 mm, for example in the prefabricated house sector. This product meets all the relevant fire protection requirements of fire class E; thus it can be used in areas where fire safety is relevant. In the manufacturing of this cable assembly, we eliminated the use of halogen. That is an important contribution to climate protection.

Fast, error-free assembly thanks to cable assemblies from WAGO

The cable assembly is equipped with a socket and a free end. The WINSTA® Pluggable Connection System allows pluggable electrical installation. This saves time, lowers costs, and reduces the need for servicing. Now you can also cut installation expenses without compromising quality and safety: with strain relief hosting reduces the need for servicing and prevents unnecessary downtime.

- effective protection against mismatching
- saves time, since no wiring is required at the construction site
- suitable for any application
- ready for immediate use
- fast, secure installation

## Notes

Note Cables with a different fire class can be found in the eShop.

## Electrical data

| Ratings per                     | IEC/EN 60664-1 |     |    | General information        |  |
|---------------------------------|----------------|-----|----|----------------------------|--|
| Overvoltage category            | III            | III | II | Note on contact resistance | approx. 1 mΩ of contact resistance<br>approx. 0.25 mΩ contact transition plug/<br>socket |
| Pollution degree                | 3              | 2   | 2  |                            |  |
| Nominal voltage                 | 250 V          | -   | -  |                            |  |
| Rated impulse withstand voltage | 4 kV           | -   | -  |                            |  |
| Rated current                   | 16 A           | -   | -  |                            |  |

## Connection Data

|                            |                           |                                 |                     |
|----------------------------|---------------------------|---------------------------------|---------------------|
| Total number of potentials | 3                         | <b>Connection 1</b>             |                     |
| PE function                | Preceding PE contact      | Strip length                    | 9 mm / 0.35 inches  |
| Conductor preparation      | ultrasonically tip-bonded | Pole number                     | 3                   |
|                            |                           | Wire cross-section              | 1.5 mm <sup>2</sup> |
|                            |                           | Strip length (outer insulation) | 55 mm               |
|                            |                           | Connection type                 | Socket - free end   |

## Physical data

|              |                        |
|--------------|------------------------|
| Width        | 17.5 mm / 0.689 inches |
| Height       | 17.5 mm / 0.689 inches |
| Total length | 5 m                    |

## Mechanical data

|   |  |
|---|--|
| Use                                     | General mains applications                               |
| Coding                                  | A  |
| Variable coding                         | No   |
| Marking                                 | L ⊕ N  |
| Mating force of a plug-in connection    | Approx. 30 ... 70 N (depending on pole number)           |
| Retention force of a plug-in connection | when locked: > 80N                                       |
| Unmating force of a plug-in connection  | Unlocked: approx. 30 ... 70 N (depending on pole number) |
| Number of mating cycles                 | 200, without resistive load                              |
| Connection type                         | Socket - free end  |
| Type of pre-assembled cable             | Connecting cable   |
| Cable type                              | H05Z1Z1-F 3G1.5  |

### Mechanical data

|                 |   |
|-----------------|---|
| Protection type | IP20; When mated: IP2xC (These compact connectors are not designed for use in open, easily accessible areas!) |
|-----------------|---|

### Plug-in connection

|                               |  |
|-------------------------------|--|
| Mismating protection          | Yes  |
| Note on mismating protection  | All <i>WINSTA</i> ® components are 100% protected against mismating when:<br>a.) plugging different numbers of poles<br>b.) plugging while incorrectly rotated<br>c.) plugging while laterally staggered |
| Locking lever                 | Yes  |
| Locking of plug-in connection | Locking lever  |

### Material data

|                                    |  |
|------------------------------------|--|
| Note (material data)               | <a href="#">Information on material specifications can be found here</a> |
| Color                              | black  |
| Insulation material (main housing) | Polyamide (PA66)   |
| Fire class per EN 50575            | E <sub>ca</sub>  |
| Contact material                   | Copper or copper alloy; surface-treated                                  |
| Contact Plating                    | Tin  |
| Fire load                          | 149.399 MJ   |
| Connector color                    | black  |
| Strain relief color                | black  |
| Sheathed cable color               | black  |
| Printing color of sheathed cable   | white  |
| Halogen-free                       | Yes  |
| Silicon-free                       | Yes  |
| Sheath material                    | Halogen-free   |
| Rubber cable                       | No   |
| Weight                             | 492.7 g  |
| Copper weight of the raw cable     | 0.043 kg/m   |

### Environmental requirements

|  |   |
|--|---|
| Processing temperature                   | -5 ... +40 °C   |
| Continuous operating temperature         | -35 ... +85 °C  |
| Note on continuous operating temperature | Cable for temperatures ≤ 70 °C (including halogen-free)<br>Insulating parts for temperatures ≤ 105 °C |

### Commercial data

|                       |               |
|-----------------------|---------------|
| PU (SPU)              | 1 pcs         |
| Packaging type        | unpacked      |
| Country of origin     | DE            |
| GTIN                  | 4045454323103 |
| Customs tariff number | 85444290900   |

**Product Classification**

|             |                      |
|-------------|----------------------|
| UNSPSC      | 26121629             |
| eCl@ss 10.0 | 27-44-06-04          |
| eCl@ss 9.0  | 27-44-06-04          |
| ETIM 9.0    | EC002587             |
| ETIM 10.0   | EC002587             |
| ECCN        | NO US CLASSIFICATION |

**Environmental Product Compliance**

|                        |                         |
|------------------------|-------------------------|
| RoHS Compliance Status | Compliant, No Exemption |
|------------------------|-------------------------|

**Approvals / Certificates**

**General approvals** **Declarations of conformity and manufacturer's declarations**



| Approval                              | Standard | Certificate Name |
|---------------------------------------|----------|------------------|
| CCA<br>DEKRA Certification B.V.       | -        | NTR NL 6374      |
| CCA<br>DEKRA Certification B.V.       | EN 61535 | NTR NL-7969      |
| CCA<br>DEKRA Certification B.V.       | EN 61984 | NTR NL-7848      |
| KEMA/KEUR<br>DEKRA Certification B.V. | EN 61535 | 71-123229        |
| KEMA/KEUR<br>DEKRA Certification B.V. | EN 61984 | 71-114944        |
| KEMA/KEUR<br>DEKRA Certification B.V. | -        | 2118353.01       |

| Approval  | Standard | Certificate Name |
|---|----------|------------------|
| EU-Declaration of Confor-<br>mity<br>WAGO GmbH & Co. KG | -        | -                |
| UK-Declaration of Confor-<br>mity<br>WAGO GmbH & Co. KG | -        | -                |

**Downloads**





**Environmental Product Compliance**

|  |                   |
|--|-------------------|
| <b>Compliance Search</b>                             |                   |
| Environmental Product Compliance<br>774-9993/116-501 | <a href="#">↓</a> |

**Documentation**

|                  |            |                 |                   |
|------------------|------------|-----------------|-------------------|
| <b>Bid Text</b>  |            |                 |                   |
| 774-9993/116-501 | 19.02.2019 | xml<br>3.04 KB  | <a href="#">↓</a> |
| 774-9993/116-501 | 07.01.2015 | doc<br>23.50 KB | <a href="#">↓</a> |

### CAD/CAE-Data

| CAD data   | CAE data  |
|--|---|
| 2D/3D Models<br>774-9993/116-501  | EPLAN Data Portal<br>774-9993/116-501  |
|  | WSCAD Universe<br>774-9993/116-501     |
|  | ZUKEN Portal<br>774-9993/116-501       |

### 1 Compatible Products

#### 1.1 Optional Accessories

##### 1.1.1 Cover

###### 1.1.1.1 Cover



Item No.: 897-2001  
Protective cap; Type1; for sockets and  
plugs; PVC; red