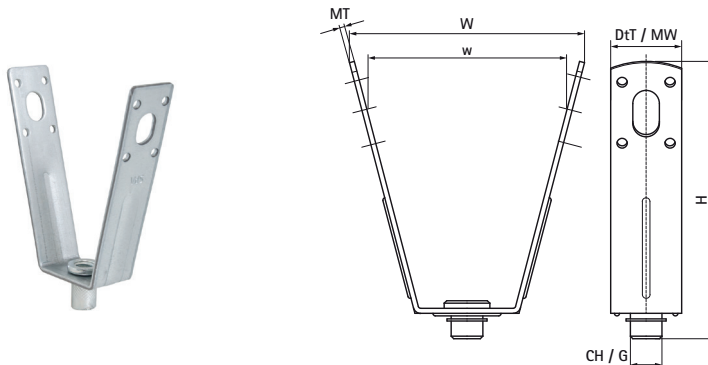


Walraven Roofing Sheet Hanger VdS

(K2505)

fixing to trapeze roofing sheet



Features & benefits

- for mounting to profiled roofing sheet by means of pop rivets or threaded rod
- for fixing pipes up to DN 50 in stationary water extinguishing systems to profiled roofing sheets according to VdS guidelines
- variable distance to roof hanger by using a threaded rod
- material: steel
- pre-galvanized
- with VdS-approval - certificate number G 4070033



Product Number	VVS Number	Connection	Connection Thread	Connection Hole	Width	Material Width	Material Thickness	Total Height	Total Width	Total Depth	Maximum Allowed Load Faz
Reference letter			G	CH	w	MW	MT	H	W	DEt	F _{0,z}
Unit description				mm	mm	mm	mm	mm	mm	mm	N
6785001	018045223	Hole		13	82	25	2.50	100	98	25	2,300
6785008	018045108	Female thread	M8		82	25	2.50	115	98	25	2,300
6785010	018045110	Female thread	M10		82	25	2.50	115	98	25	2,300