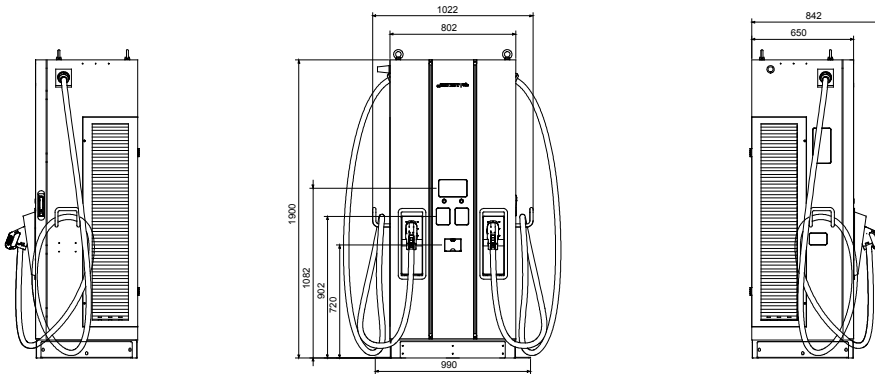




I-FAST products are JOINON's DC fast-charging solutions ideal for charging all types of electric vehicles equipped with high-voltage systems in private or public high-rotation parking lots, highways and service areas. The offer consists of wallboxes up to 30 kW and stations up to 180 kW. They feature an elegant design and finishes that make them an urban and extra-urban furnishing product, with a graphic display for a better User Experience and use of services for the EV Driver user.

<b>Power specification - AC input</b>		<b>Environmental</b>	
Input voltage	3 Φ 380 ± 415 V ac	Operating temperature	-30°C ± +50°C
AC input connection	3P+N+PE (Wye configuration), TN/TT	Humidity	5% ÷ 95% RH, Non-Condensing
Max input current	3 Φ 289 A	Altitude	≤ 2.000 m
Frequency	50 Hz / 60 Hz	IP degree	IP55
Power factor	> 0.99	Mechanical resistance	IK10 (not including screen & RFID module)
Efficiency	>94%	Cooling method	Fan cooling
<b>Power specification - DC output</b>		<b>Mechanical</b>	
Output voltage range	CCS2:150 ÷ 950 V dc-GBT:150~750 V dc	Dimension	800 mm x 650 mm x 1.900 mm
Max output current	CCS2: 250A (picco 300A) GBT: 120A	Weight	≤460 kg
Maximum output power	150 kW	Cable length	4.5 m
Voltage/Current accuracy	±2%	<b>Protection</b>	
<b>User interface &amp; control</b>		- Input protection	
Display	7" LCD	OVP, OCP, OPP, OTP, UVP, RCD, SPD	
Push buttons	Operation Buttons / Emergency Stop Button	Output protection	
User Authentication	RFID: support ISO 14443A/B, ISO 15693, FeliCa Lite-S (RCS966), OCPP 1.6 JSON, QR Code, App	SCP, OCP, OVP, LVP, OTP, IMD	
<b>Meter</b>		<b>Regulation</b>	
	Integrated DC Meter	- Accessibility	
<b>Communication</b>		PAS1899:2022, subclause 5.2, Table 2, "Height range requirements" (refer to manual for more details)	
External	Ethernet, Wi-Fi and 4G	Safety	
Internal	CAN bus / RS485	CE, CB	
		- Certificate	
		IEC 61851-1, IEC 61851-23, IEC 61851-21-2	
		Charging interface	
		DIN 70121, ISO 15118-2, GB/T 27930	
		National directives	
		UK Public CP Regulation 2023 (manufacturer requirements)	
<b>Contactless Solution</b>			
- -			
<b>Payment terminal</b>		Yes, Payter P66	

### DIMENSIONAL



### TECHNICAL SYMBOLOGY

**IP**      **IK**

IP55

IK10 (not including screen & RFID module)

## STANDARDS/APPROVALS



GEWISS S.p.A. Via A. Volta, 1  
24069 Cenate Sotto - Bergamo - Italy  
tel. +39 035 94 61 11 fax +39 035 94 69 09  
Company subject to the management and  
coordination of Polifin S.p.A.

[www.gewiss.com](http://www.gewiss.com)  
[sat@gewiss.com](mailto:sat@gewiss.com)  
Last update 21/04/2026

Data, measures, designs and pictures are shown  
only as informative purposes,  
and could be changed without previous notice