

29 140 892 Product version from 6/30/2015

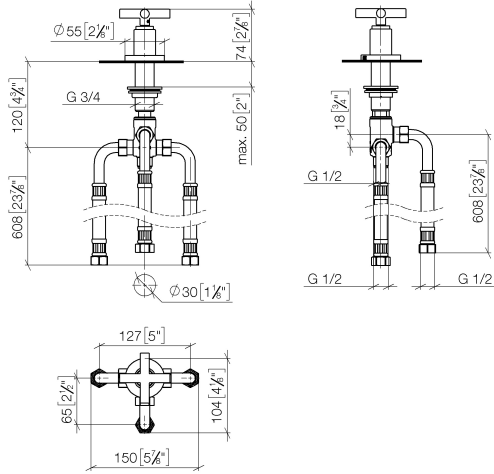


- automatic bath/shower diverter
- hole diameter 32 mm
- rosette Ø 55 mm
- 1/2" connection
- max. flow 64.9 l/min at 3 bar flow pressure
- WRAS

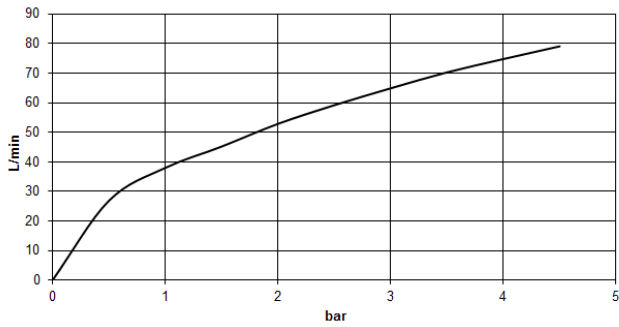
	Matte Black	29 140 892-33
	Chrome	29 140 892-00
	Brushed Platinum	29 140 892-06
	Platinum	29 140 892-08
	Dark Chrome	29 140 892-19
	Brushed Durabronze (23kt Gold)	29 140 892-28
	Brushed Dark Brass (PVD)	29 140 892-39
	Brushed Bronze (PVD)	29 140 892-42
	Brushed Dark Bronze (PVD)	29 140 892-43
	Brushed Champagne (22kt Gold)	29 140 892-46
	Champagne (22kt Gold)	29 140 892-47
	Brushed Chrome	29 140 892-93
	Brushed Dark Platinum	29 140 892-99

29 140 892 Product version from 6/30/2015

mm [inches]



Flow rate chart



Codes & Standards

ASME A112.18.1      cUPC      DIN 4109      ISO 3822

Scottish Water Byelaws      UK Water Supply Regulations      Ü-Zeichen



## TARA Two-way diverter for bath rim or tile edge installation - Matte Black

TARA

29 140 892 Product version from 6/30/2015

### Certificates and sustainability

WRAS\_1911

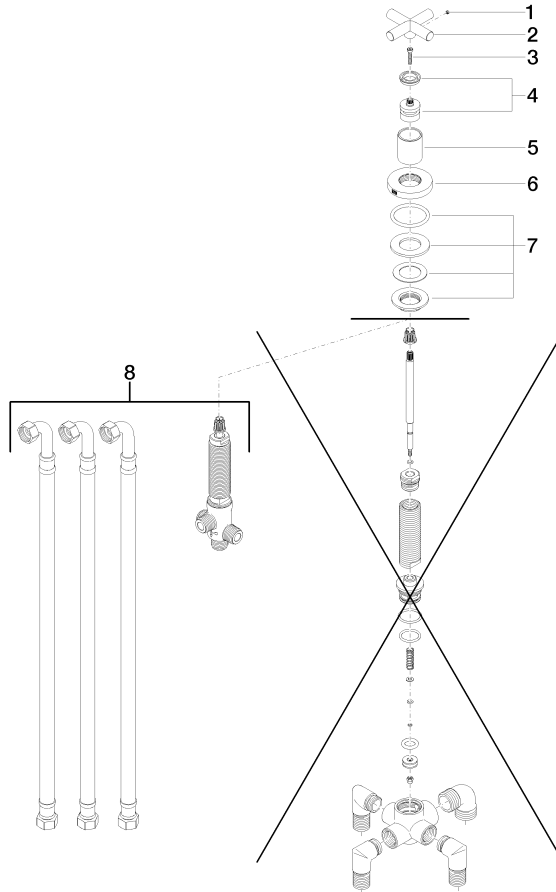
LGA\_29

IAPMO\_4976

EPD-DOR-20230287  
-IBA1-EN  
Environmental.prod  
uct-declarat

29 140 892 Product version from 6/30/2015

Parts for other finishes can be found here: [Chrome](#)



### Spare parts list

No.	Item Number	Name	Quantity used	Delivery time
4	90 12 12 007 00-33	Handle Socket retainer Ø 29 x 26 mm - Matte Black	1.00	40
8	90 17 09 051 00 90	Diverter Spare part for 04.17.09.041.15.90 716x133x80 mm -	1.00	14
2	09 20 89 011-33	Handle 70 x 70 x 22,5 mm - Matte Black	1.00	40
6	09 27 89 102-33	Rosette Ø 55 x 9 mm, 3/4" - Matte Black	1.00	-
Spare part can no longer be ordered, please order the replacement item				
1	09 31 11 055 90	Mounting Threaded pin with hexagon socket with point M4 x 3,5 mm -	1.00	14
3	90 30 30 075 00 90	Mounting Cylinder head screw with hexagon socket Low profile M4 x 20 mm -	1.00	14
5	09 21 02 140-33	Cover Ø 30 x 36 mm - Matte Black	1.00	40
7	04 23 10 004 03 90	Mounting with seals Ø 45 mm, 3/4" -	1.00	14