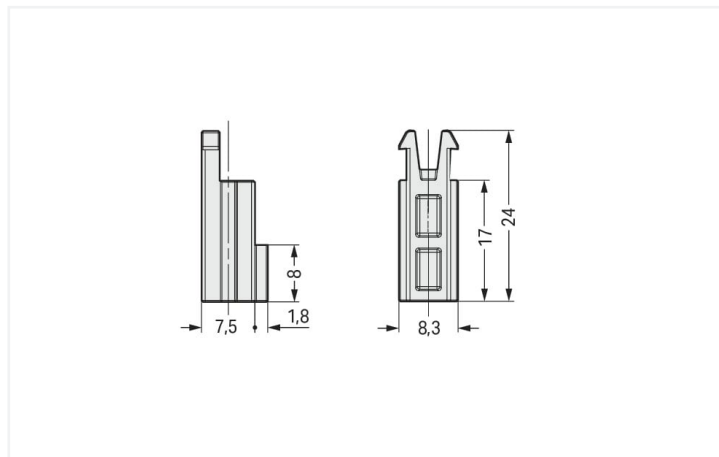
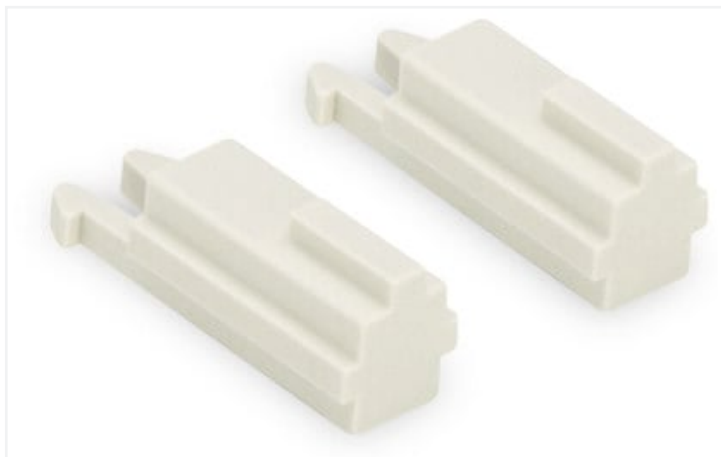


Data Sheet | Item Number: 831-321
 Lockout pin; for male connectors; 2 parts; light gray

<https://www.wago.com/831-321>



Color: ■ light gray

Dimensions in mm

Physical data

Width	8.3 mm / 0.327 inches
Height	9.3 mm / 0.366 inches
Depth	24 mm / 0.945 inches

Mechanical data

Mounting type	Snap-in flange Feed-through mounting
Suitable	for snap-in frames, 831 Series

Material data

Note (material data)	Information on material specifications can be found here
Color	light gray
Material group	I
Insulation material	Polyamide (PA66)
Flammability class per UL94	V0
Fire load	0 MJ
Weight	0.8 g

Commercial data

eCl@ss 10.0	27-14-11-92
eCl@ss 9.0	27-14-11-92
ETIM 8.0	EC002848
ETIM 7.0	EC002848
PU (SPU)	100 pcs
Packaging type	Box
Country of origin	DE
GTIN	4055143564939
Customs tariff number	39269097900

Environmental Product Compliance

RoHS Compliance Status

Compliant, No Exemption

Downloads

Environmental Product Compliance

Compliance Search

Environmental Product
Compliance 831-321



Documentation

Additional Information

Technical Section

03.04.2019

pdf

2010.85 KB



CAD/CAE-Data

CAD data

2D/3D Models 831-321



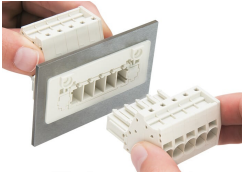
CAE data

ZUKEN Portal 831-321



Installation Notes

Installation



Inserting a female connector without lateral locking levers
– lockout pins are inserted on both sides of the snap-in frame.