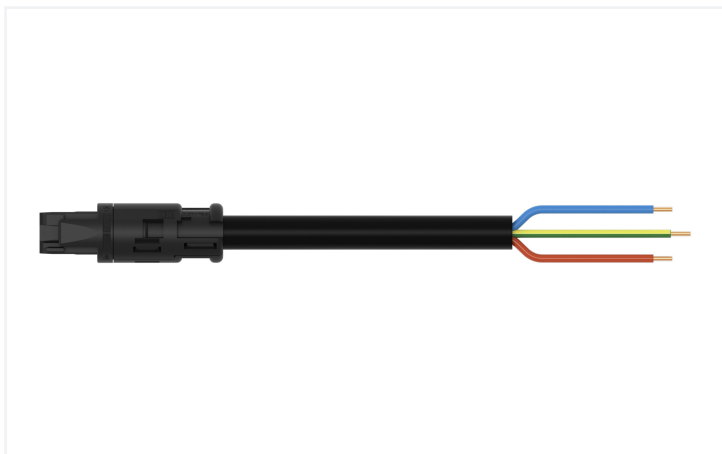


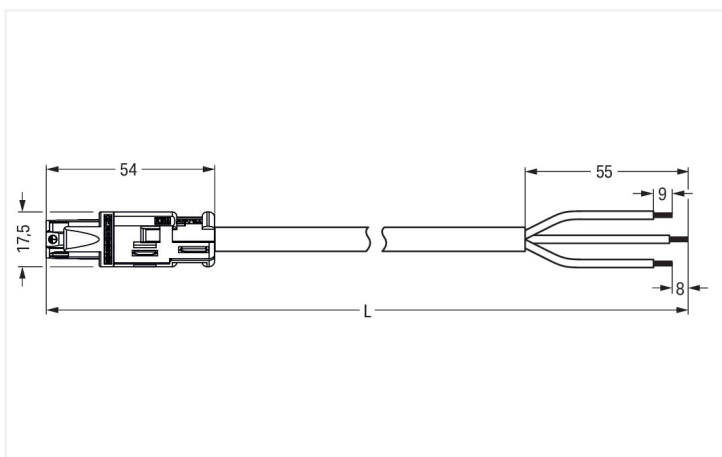
Data Sheet | Item Number: 774-9993/116-701

pre-assembled connecting cable; Eca; Socket/open-ended; 3-pole; Cod. A;
H05Z1Z1-F 3G 1.5 mm²; 7 m; 1,50 mm²; black

<https://www.wago.com/774-9993/116-701>



Color: ■ black



Dimensions in mm

Cable assembly *WINSTA*® RD with protection type IP20

The *WINSTA*® RD cable assembly A coding provides the foundation for assembly of fine-stranded and solid conductors. Whether on PCBs, in control cabinets or for connecting lights – pluggable installation connectors from WAGO allow you to establish connections according to a huge variety of requirements in next to no time. The coding options reduce installation errors, allowing fast, maintenance-free wiring of all components. The pluggable in-



stallation connector is protected against ingress by solid objects in accordance with protection type IP20 (When mated: IP2xC (These compact connectors are not designed for use in open, easily accessible areas!)). The WINSTA® RD offers a round design that is ideal for use in conduits with an inner diameter of 20 mm, such as in the prefabricated house sector. According to the European CPR, the fire class of the cables used for construction is critical for the safety of buildings as well. For buildings with average safety requirements, cable assemblies with fire class E are suitable. The cable assembly is halogen-free. This eliminates the addition of environmental pollutants during production. It also achieves a higher fire class, since halogen-free materials do not easily ignite.

Pluggable connections instead of screw connections – cable assemblies from WAGO

The cable is pre-assembled with a socket and a free end. WINSTA® is the pluggable connection system that is ideally tailored to the strict requirements of electrical installation. It ensures error-free installation of cables and components, quickly and reliably. Now you can also lower installation expenses without compromising quality and safety: with strain relief hosting eliminates the need for servicing and prevents unnecessary downtime.

- protection against mismatching eliminates errors
- products perfectly tailored to your requirements guarantee safe use
- with A coding for a large number of uses
- ready for immediate use
- convenient installation and commissioning

| Notes | |
|-------|---|
| Note | Cables with a different fire class can be found in the eShop. |

| Electrical data | | | |
|---------------------------------|----------------|-----|----|
| Ratings per | IEC/EN 60664-1 | | |
| Overvoltage category | III | III | II |
| Pollution degree | 3 | 2 | 2 |
| Nominal voltage | 250 V | - | - |
| Rated impulse withstand voltage | 4 kV | - | - |
| Rated current | 16 A | - | - |

| General information | |
|----------------------------|--|
| Note on contact resistance | approx. 1 mΩ of contact resistance approx. 0.25 mΩ contact transition plug/socket |

| Connection Data | |
|----------------------------|---------------------------|
| Total number of potentials | 3 |
| PE function | Preceding PE contact |
| Conductor preparation | ultrasonically tip-bonded |

| Connection 1 | |
|---------------------------------|---------------------|
| Strip length | 9 mm / 0.35 inches |
| Pole number | 3 |
| Wire cross-section | 1.5 mm ² |
| Strip length (outer insulation) | 55 mm |
| Connection type | Socket - free end |

| Physical data | |
|---------------|------------------------|
| Width | 17.5 mm / 0.689 inches |
| Height | 17.5 mm / 0.689 inches |
| Total length | 7 m |

Mechanical data

| | |
|---|---|
| Use | General mains applications |
| Coding | A |
| Variable coding | No |
| Marking | L ⊕ N |
| Mating force of a plug-in connection | Approx. 30 ... 70 N (depending on pole number) |
| Retention force of a plug-in connection | when locked: > 80N |
| Unmating force of a plug-in connection | Unlocked: approx. 30 ... 70 N (depending on pole number) |
| Number of mating cycles | 200, without resistive load |
| Connection type | Socket - free end |
| Type of pre-assembled cable | Connecting cable |
| Cable type | H05Z1Z1-F 3G1.5 |
| Protection type | IP20; When mated: IP2xC (These compact connectors are not designed for use in open, easily accessible areas!) |

Plug-in connection

| | |
|-------------------------------|--|
| Mismating protection | Yes |
| Note on mismating protection | All <i>WINSTA</i> ® components are 100% protected against mismating when: a.) plugging different numbers of poles b.) plugging while incorrectly rotated c.) plugging while laterally staggered |
| Locking lever | Yes |
| Locking of plug-in connection | Locking lever |

Material data

| | |
|------------------------------------|--|
| Note (material data) | Information on material specifications can be found here |
| Color | black |
| Insulation material (main housing) | Polyamide (PA66) |
| Fire class per EN 50575 | E _{ca} |
| Contact material | Copper or copper alloy; surface-treated |
| Contact Plating | Tin |
| Fire load | 209.399 MJ |
| Connector color | black |
| Strain relief color | black |
| Sheathed cable color | black |
| Printing color of sheathed cable | white |
| Halogen-free | Yes |
| Silicon-free | Yes |
| Sheath material | Halogen-free |
| Rubber cable | No |
| Weight | 687.7 g |
| Copper weight of the raw cable | 0.043 kg/m |

Environmental requirements

| | |
|--|---|
| Processing temperature | -5 ... +40 °C |
| Continuous operating temperature | -35 ... +85 °C |
| Note on continuous operating temperature | Cable for temperatures ≤ 70 °C (including halogen-free) Insulating parts for temperatures ≤ 105 °C |

Commercial data

| | |
|-----------------------|---------------|
| PU (SPU) | 1 pcs |
| Packaging type | unpacked |
| Country of origin | DE |
| GTIN | 4045454323141 |
| Customs tariff number | 85444290900 |

Product Classification

| | |
|-------------|----------------------|
| UNSPSC | 26121629 |
| eCl@ss 10.0 | 27-44-06-04 |
| eCl@ss 9.0 | 27-44-06-04 |
| ETIM 9.0 | EC002587 |
| ETIM 10.0 | EC002587 |
| ECCN | NO US CLASSIFICATION |

Environmental Product Compliance

| | |
|------------------------|-------------------------|
| RoHS Compliance Status | Compliant, No Exemption |
|------------------------|-------------------------|

Approvals / Certificates

General approvals



| Approval | Standard | Certificate Name |
|---------------------------------------|----------|------------------|
| CCA DEKRA Certification B.V. | - | NTR NL 6374 |
| CCA DEKRA Certification B.V. | EN 61535 | NTR NL-7969 |
| CCA DEKRA Certification B.V. | EN 61984 | NTR NL-7848 |
| KEMA/KEUR DEKRA Certification B.V. | EN 61535 | 71-123229 |
| KEMA/KEUR DEKRA Certification B.V. | EN 61984 | 71-114944 |
| KEMA/KEUR DEKRA Certification B.V. | - | 2118353.01 |

Declarations of conformity and manufacturer's declarations

| Approval | Standard | Certificate Name |
|---|----------|------------------|
| EU-Declaration of Confor- mity WAGO GmbH & Co. KG | - | - |
| UK-Declaration of Confor- mity WAGO GmbH & Co. KG | - | - |

Downloads

Environmental Product Compliance

| |
|---|
| Compliance Search |
| Environmental Product Compliance 774-9993/116-701 |



Documentation

Bid Text

| | | | |
|------------------|------------|-----------------|---|
| 774-9993/116-701 | 19.02.2019 | xml 3.04 KB | ↓ |
| 774-9993/116-701 | 07.01.2015 | doc 23.50 KB | ↓ |

CAD/CAE-Data

CAD data

| | |
|----------------------------------|---|
| 2D/3D Models 774-9993/116-701 | ↓ |
|----------------------------------|---|

CAE data

| | |
|---------------------------------------|---|
| EPLAN Data Portal 774-9993/116-701 | ↓ |
| WSCAD Universe 774-9993/116-701 | ↓ |
| ZUKEN Portal 774-9993/116-701 | ↓ |

1 Compatible Products

1.1 Optional Accessories

1.1.1 Cover

1.1.1.1 Cover



Item No.: 897-2001

Protective cap; Type1; for sockets and plugs; PVC; red