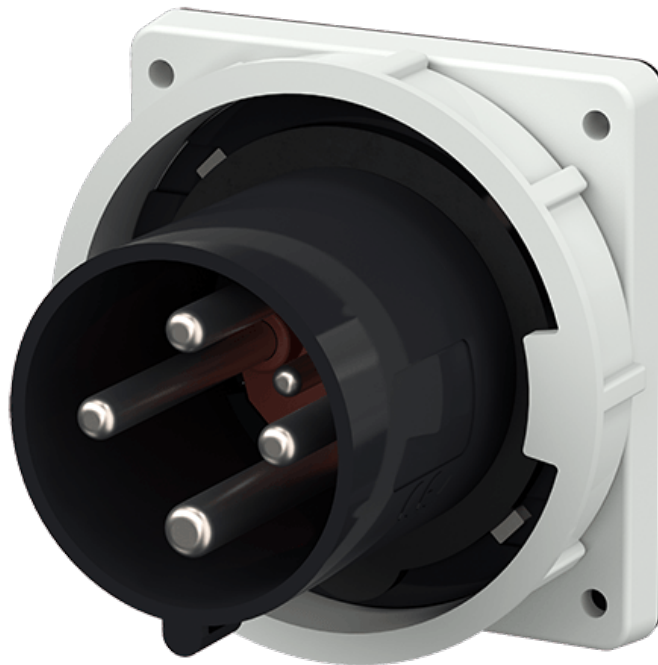


# Panel mounted inlet

Part number: 3657



**MENNEKES**  
Elektrotechnik GmbH & Co. KG

Aloys-Mennekes-Straße 1  
57399 Kirchhundem  
GERMANY

[www.MENNEKES.org](http://www.MENNEKES.org)

# Product Description

- highly heat resistant contact carrier, nickel plated contacts
- frame terminals
- external fixing
- a retaining nose to hold the hinged lid of the connector must be provided by the customer in order to ensure satisfactory locking

# Technical Details

Panel mounted inlet	3657
Ampere	63A
Number of poles	4p
Clock position	7h
Nominal voltage AC	500V
Nominal frequency	50 - 60 Hz
Protection type IP	IP67
Contact carrier	highly heat resistant contact carrier, nickel plated contacts
Connection	frame terminals
Tightening torque connection terminal	PZ2, slot
Phase inverter	without phase inverter
Pilot contact	1 pilot contact
Flange dimensions	110 x 106 mm
Hole spacings	90 x 90 mm
Insertion direction	straight
Type of mounting	external fixing
Military version	no
Protection cap	without protection cap
Tightening torque connection terminal	2 Nm
Recommended wire end treatment for supply cable connection terminal	usable with and without ferrule
Strip length conductor	18 mm
Conductor cross-section min.	6 mm <sup>2</sup>
Conductor cross-section max.	16 mm <sup>2</sup>
Weight (net)	531 g

Panel mounted inlet	3657
Packaging unit	5 Stück
Quantity per pallet	440 Stück
EAN / identification number	4015394020455

Permissible ambient conditions

	Min.	Max.
Permanent ambient temperature	-25 °C	40 °C
Average temperature over 24 hours		35 °C

Material properties

Front part	PC black [similar RAL 9005]
Flange	PC light grey [similar RAL 7035]
Bayonet ring	PC/PET light grey [similar RAL 7035]

Material resistance

The material resistance overview can be found on the website in the section “Knowledge” - “Product knowledge” - “Materials”.

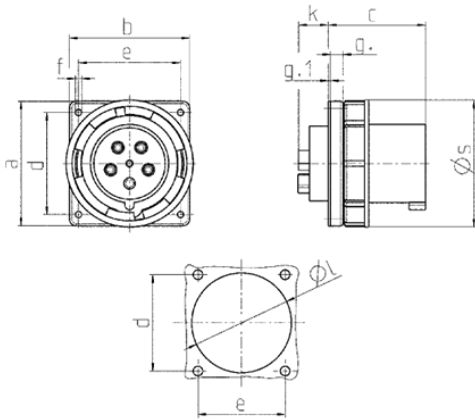
Material and environmental properties

RoHS 2011/65/EU incl. 2015/863/EU	✓
POP regulation (EU) 2019/1021	✓

Regulations and Standards

Norm	DIN EN IEC 60309-2
Declaration of Conformity	CE
Test label	EAC, CQC

# Dimensional Drawing



Drawing	Amp. Poles	63			125		
		3	4	5	3	4	5
2 MB 166							
Dim. in mm	a	110	110	110	130	130	130
	b	106	106	106	130	130	130
	c	86	86	86	112	112	112
	d	90	90	90	104	104	104
	e	90	90	90	104	104	104
	f	5.5	5.5	5.5	6.5	6.5	6.5
	g.	12	12	12	18	18	18
	g.1	2	2	2	2	2	2
	k	28	28	28	28	28	28
	l	88.5	88.5	88.5	95	95	95
	s	113	113	113	132	132	132
Terminal for cond. cross section (mm <sup>2</sup> ) min.-max.		6	6	6	25	25	25
		-16	-16	-16	-70	-70	-70