

Surface mounted inlet

Part number: 464



MENNEKES
Elektrotechnik GmbH & Co. KG

Aloys-Mennekes-Straße 1
57399 Kirchhundem
GERMANY

www.MENNEKES.org

Product Description

- screw connection technology
- external fixing
- 45° inclination
- with hinged lid

Technical Details

Surface mounted inlet	464
Ampere	32A
Number of poles	3p
Clock position	6h
Nominal voltage AC	230V
Nominal frequency	50 - 60 Hz
Protection type IP	IP67
Contact carrier	standard
Connection	screw terminals
Tightening torque connection terminal	PZ2, slot
Phase inverter	without phase inverter
Pilot contact	without pilot contact
Flange dimensions	85 x 85 mm
Hole spacings	70 x 70 mm
Insertion direction	angled
Inclination	45°
Type of mounting	external fixing
Military version	no
Protection cap	without protection cap
Tightening torque connection terminal for cable cross-section 2,5 - 4,0 mm ²	0.8 Nm
Tightening torque connection terminal for cable cross-section 6,0 mm ²	1.2 Nm
Recommended wire end treatment for supply cable connection terminal	ferrule square gasproof crimped
Strip length conductor	12 - 17 mm
Conductor cross-section min.	2.5 mm ²

Surface mounted inlet	464
Conductor cross-section max.	6 mm ²
Weight (net)	331 g
Packaging unit	10 Stück
Quantity per pallet	480 Stück
EAN / identification number	4015394003212

Permissible ambient conditions	Min.	Max.
	Permanent ambient temperature	-25 °C
Average temperature over 24 hours		35 °C

Material properties	
Housing	PA6 blue [similar RAL 5007]
Flange	PA6 light grey [similar RAL 7035]
Hinged lid	PA6 light grey [similar RAL 7035]
Bayonet ring	PC/PET light grey [similar RAL 7035]

Material resistance

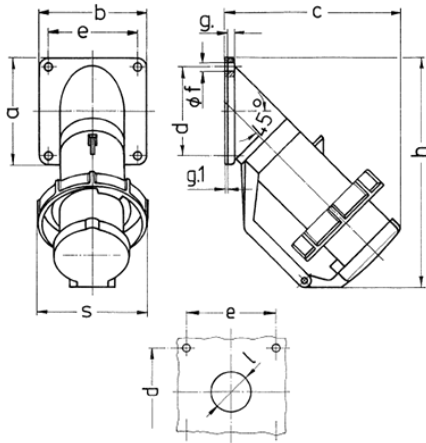
The material resistance overview can be found on the website in the section “Knowledge” - “Product knowledge” - “Materials”.

Material and environmental properties	
RoHS 2011/65/EU incl. 2015/863/EU	✓
POP regulation (EU) 2019/1021	✓

Regulations and Standards

Norm	DIN EN IEC 60309-2
Declaration of Conformity	CE
Test label	EAC

Dimensional Drawing



Drawing 2 MB 40	Amp. Poles	16		32		63	
		5	3	4	5	4	5
Dim. in mm	a	85	85	85	85	114	114
	b	85	85	85	85	114	114
	c	141	141	141	144	180	180
	d	70	70	70	70	90	90
	e	70	70	70	70	90	90
	f	6.2	6.2	6.2	6.2	6.2	6.2
	g.	6	6	6	6	6	6
	g.1	2	2	2	2	2	2
	h	181	181	181	188	242	242
	s	86	93	93	100	113	113
	l	30	30	30	30	40	40
Terminal for cond. cross section (mm ²) min.-max.		1 -2.5	2.5 -6	2.5 -6	2.5 -6	4 -16	4 -16