

Features

- Recessed spotlight Kit with RefLED GU10 LED spotlight lamp Ø50mm. Polycarbonate body, round bezel ring in white color finish, vertical tilt 30°, IP20 degree of protection, class II. Lumen output 345lm, CCT 3000K, beam angle 36°, power 4,5W, efficacy 77 lm/W, lifetime 15.000h. Outer dimensions: Ø90x103mm, cut-out Ø70-75mm. Suitable for internal environment only and for LED lamps only.

Product Overview

Product name	SYLSPOT KIT ROUND 345LM 830 ADJ IP20 WHT
Technology	LED
Cap/Base	N/A
Housing	PC Polycarbonate
Mount	Ceiling recessed mounting
Environment	Indoor
Fixture luminous flux (lm)	345
Luminaire efficacy (lm/W)	77
Colour temperature (K)	3000
Light colour	Warm White
CRI (Ra)	80
Colour Variation Initial (SDCM)	6
Photobiological Risk Group	RG1
Total power consumption (W)	4.5
Electrical protection	Class II
Control gear type	LED driver constant current
Housing colour	White
IP rating	IP20
IK rating	IK03
Product EAN number	5410288057255

SYLSPOT KIT ROUND 345LM 830 ADJ IP20 WHT 0005725

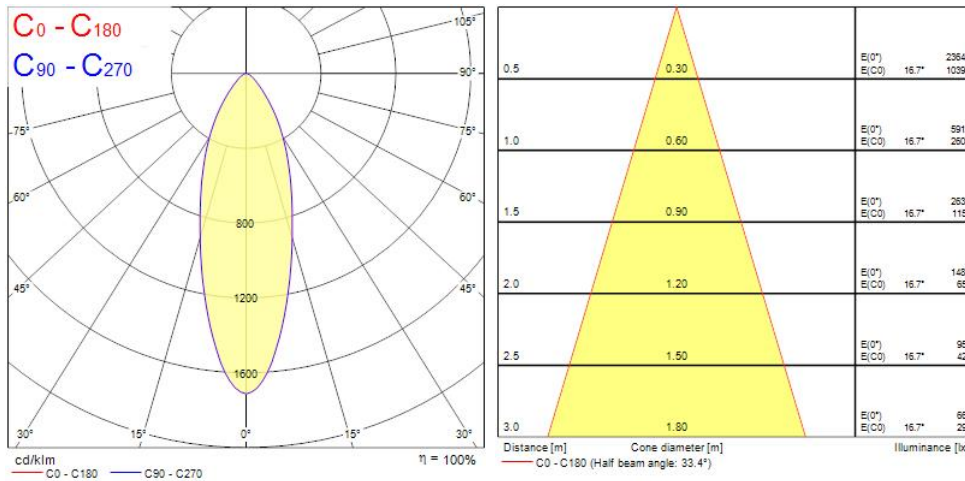
Warranty

3 years

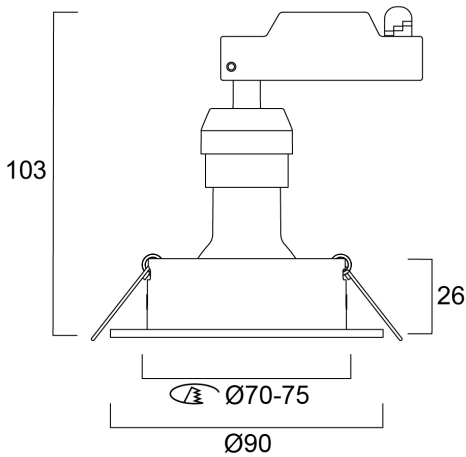
Colour Code

830

Photometry



Technical drawings



Data table

SYLSPOT KIT ROUND 345LM 830 ADJ IP20 WHT 0005725

GENERAL DATA

Product name	SYLSPOT KIT ROUND 345LM 830 ADJ IP20 WHT
Technology	LED
Cap/Base	N/A
Housing	PC Polycarbonate
Mount	Ceiling recessed mounting
Environment	Indoor
Operating temperature range (°C)	-10°C...+40°C
Warranty	3 years

OPTICAL DATA

Fixture luminous flux (lm)	345
Luminaire efficacy (lm/W)	77
Colour temperature (K)	3000
Colour Code	830
Light colour	Warm White
CRI (Ra)	80
Colour Variation Initial (SDCM)	6
Photobiological Risk Group	RG1

ELECTRICAL DATA

Total power consumption (W)	4.5
Primary Supply/Product voltage - min (V)	220
Lamp power factor	0.9
Electrical protection	Class II
Control gear required	No
Control gear type	LED driver constant current
Inrush Current (A)	10
Inrush Duration (µs)	150
Glow Wire Test (°C)	650
Energy Efficiency Class (A->G) of contained light source	F
Nominal Frequency (Hz)	50/60Hz

SYLSPOT KIT ROUND 345LM 830 ADJ IP20 WHT 0005725

Max. products per 10A C Breaker	100
Connectable conductor cross section - Min (mm ²)	0.75
Connectable conductor cross section - Max (mm ²)	1

LIFETIME DATA

Lifespan L70 B50	15000
------------------	-------

PHYSICAL DATA

Housing colour	White
IP rating	IP20
IK rating	IK03
Diffuser finish	Other
Diffuser material	None
Nominal Product Diameter (mm)	90
Weight (kg)	0.09

PACKAGING

Single packaging type	Carton
Product EAN number	5410288057255
Packaging single width (cm)	7.5
Packaging single depth (cm)	11.5
DUN14 (outer)	15410288057252
Packaging outer length / height (cm)	38.0

SAFETY DATA

Optimal operating condition (°C)	-10-40
Special purpose lamp	No
Dry applications use only	No
Suitable for household illumination	No