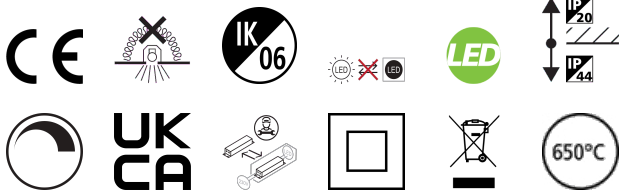


START Downlight Flat 205 IP44 2250LM 840 DIM

Item No: 0054125

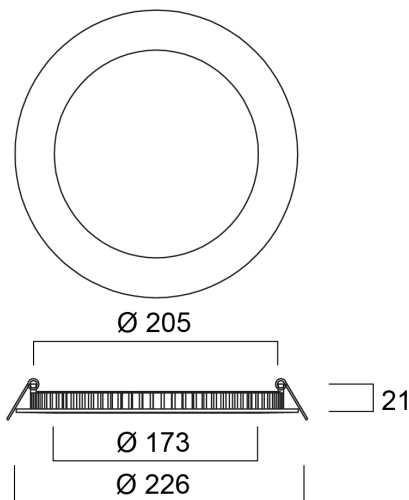
SYLVANIA

STARTTM



Technical Assets

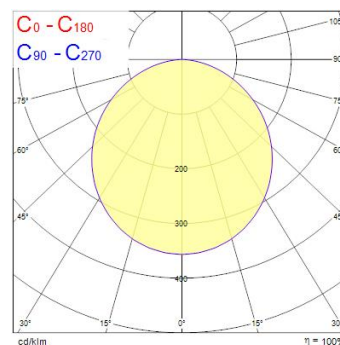
Dimensions (mm)



Photometrics

Distance [m]	Cone diameter [m]	E ₀ ' [lx]	E ₁₀₀ ' [lx]	Footcandle [fc]
0.5	1.44	3211	299	3211
1.0	2.88	803	75	803
1.5	4.32	367	33	367
2.0	5.76	201	19	201
2.5	7.19	125	12	125
3.0	8.63	89	8	89

Distance [m] Cone diameter [m] Illuminance [lx]
 C0 - C180 (Half beam angle: 110.4°)



START Downlight Flat 205 IP44 2250LM 840 DIM

Item No: 0054125

SYLVANIA

General data

Product name	START Downlight Flat 205 IP44 2250LM 840 DIM
Technology	LED
Cap/Base	N/A
Housing	Aluminium
Mount	Ceiling recessed mounting
General application	Hospitality
Operating temperature range (°C)	-20°C...+40°C
Performance ambient temperature Tq (°C)	25
ETIM Class	EC001744
E-number FI	4278502
Warranty	5 years

Optical data

Useful luminous flux (Φuse)	2250
Fixture luminous flux (lm)	2250
Luminaire efficacy (lm/W)	94
Correlated colour temperature (k)	4000
Light colour	Cool White
CRI (Ra)	80
Colour Variation Initial (SDCM)	SDCM3
Beam Angle (°)	120
Distribution type	Symmetric
Glare control	< 28
Photobiological Risk Group	RG0

Electrical data

Total power consumption (W)	24
Primary Supply/Product voltage - min (V)	220
Lamp power factor	0.9
Electrical protection	Class II
Control gear required	No
Control gear type	LED driver constant current
Dimming method	Mains: leading / trailing edge
Drive current (mA)	600
Inrush Current (A)	4.16
Inrush Duration (µs)	112
Energy Efficiency Class (A->G) of contained light source	E
Nominal Frequency (Hz)	50Hz
LED Flickering Rate	Ultra low (5% or less)
Max. products per 10A C Breaker	51
Max. products per 13A C Breaker	67
Max. products per 16A C Breaker	82
Max. products per 20A C Breaker	103
Max. products per 20A B Breaker	103
Connectable conductor cross section - Min (mm ²)	0.75
Connectable conductor cross section - Max (mm ²)	1.5

Lifetime data

Lifespan L70 B50	78000
Lifespan L80 B20	43000
Lifespan L80 B10	42000
Lifespan L90 B10	23000

START Downlight Flat 205 IP44 2250LM 840 DIM

Item No: 0054125

SYLVANIA

Physical data

Housing colour	RAL 9003 - Signal white
IP rating	IP44/20
IK rating	IK06
Diffuser finish	Opal
Diffuser material	PS Polystyrene
Reflector finish	Not Applicable
Nominal Product Height (mm)	21
Nominal Product Diameter (mm)	226
Built-in diameter (mm)	205
Weight (kg)	0.546

Packaging

Product EAN number	5410288541259
Packaging single width (cm)	5.0
Packaging single depth (cm)	23.3
DUN14 (inner)	15410288541256
Packaging outer length / height (cm)	53.3

Safety data

Glow Wire Test (°C)	650
Optimal operating condition (°C)	-20-40