



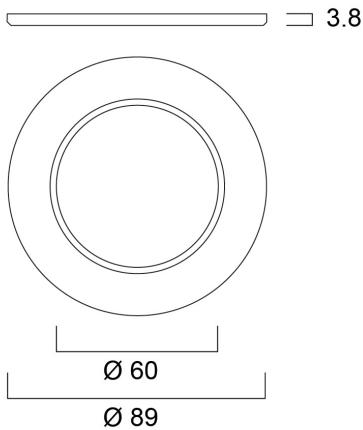
Features

- Silver bezel as an optional accessory for START Spot range . Can be attached to the product in a few seconds with the help of the twist and lock mechanism. Packed by 3pcs in a box.

Product Overview

Product name	Start Spot Bezel Silver 3x
Technology	Accessory
E-number FI	4278484
Product EAN number	5410288055862
Warranty	3 years

Technical drawings



Data table

Start Spot Bezel Silver 3x 0005586

GENERAL DATA

Product name	Start Spot Bezel Silver 3x
Technology	Accessory
E-number FI	4278484
Warranty	3 years

ELECTRICAL DATA

Control gear required	No
-----------------------	----

PHYSICAL DATA

Nominal Product Diameter (mm)	89
Weight (kg)	0.02

PACKAGING

Single packaging type	Carton
Product EAN number	5410288055862
Packaging single width (cm)	1.6
Packaging single depth (cm)	9.4
DUN14 (inner)	25410288055866
Units per inner package	40
Packaging inner length / height (cm)	38.8
Packaging inner width (cm)	9.3
Packaging inner depth (cm)	20.2
DUN14 (outer)	15410288055869
Packaging outer length / height (cm)	48.4

SAFETY DATA

Special purpose lamp	No
Dry applications use only	No
Suitable for household illumination	No