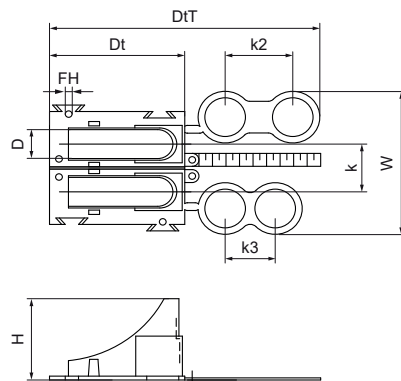
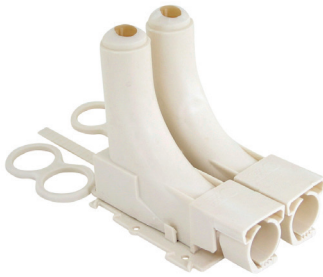


Walraven Two-Part Floor Bend

(01010)

guiding of plastic floor pipe



Features & benefits

- two-part floor bend
- protects the pipe against mechanical damage ('buckle')
- for pipe sleeve up to \varnothing 25 mm
- with perforation line for separation into 2 single floor bends
- distance strip simplifies setting of distance between wall and bend
- double eye to fix centre distance during casting
- foot plate with dove tail: increases centre distance from 35 to 50 mm by switching the left and right floor bend
- upperpart easily tackable to bottomplate
- material: PP (polypropylene), creamcoloured (according to RAL 1013)

Product Number	Outside Pipe Diameter	Total Height	Total Width	Total Depth	Depth	Heart To Heart Distance 2	Heart To Heart Distance 3	Fixing Hole
Reference Letter	D	H	W	DtT	Dt	k 2	k 3	FH
Unit description	mm	mm	mm	mm	mm	mm	mm	mm
0872813	12 - 25	117	88	200.5	100	50	37.5	5
0872816		150	170	170				
0872817		40	170	170				