



Handle china - Brushed Platinum

SERIES-VARIOUS

11 161 820



Brushed Platinum

11 161 820-06

11 161 820 60

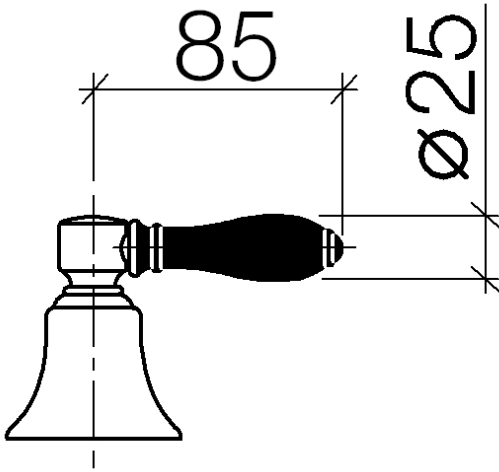


Handle china - Brushed Platinum

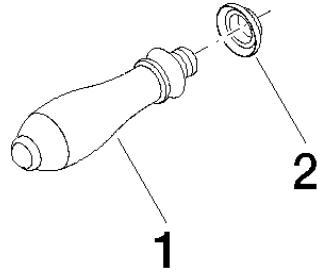
SERIES-VARIOUS

11 161 820

11 161 820



11 161 820



Spare parts list

No.	Item Number	Name	Quantity used	Delivery time
1	09 20 82 011-06	Handle Ø 22 x 81 mm - Brushed Platinum	1.00	-
Spare part can no longer be ordered, please order the replacement item				
2	09 20 82 001-06	Handle insert for side part Ø 19 x 6 mm - Brushed Platinum	1.00	20