

# Wall mounted inlet

Part number: 843



**MENNEKES**  
Elektrotechnik GmbH & Co. KG

Aloys-Mennekes-Straße 1  
57399 Kirchhundem  
GERMANY

[www.MENNEKES.org](http://www.MENNEKES.org)

## Product Description

- screw connection technology
- prepared for internal fixing, external fixing
- 15° inclination

## Technical Details

| Wall mounted inlet  | 843   |
|---|---|
| Ampere  | 16A   |
| Number of poles   | 3p  |
| Clock position  | 4h  |
| Nominal voltage AC  | 110V  |
| Nominal frequency   | 50 - 60 Hz                                    |
| Protection type IP  | IP44  |
| Contact carrier   | standard                                      |
| Connection  | screw terminals                               |
| Tightening torque connection terminal   | PZ2, slot                                     |
| Tightening torque external screws   | PZ2, slot                                     |
| Phase inverter  | without phase inverter                        |
| Pilot contact   | without pilot contact                         |
| Cable entry at the top  | 1 x M20x1,5                                   |
| Blind cable entry at the rear   | no  |
| Enclosure base can be turned 180°   | no  |
| Insertion direction   | angled  |
| Inclination   | 15°   |
| Type of mounting  | prepared for internal fixing, external fixing |
| Military version  | no  |
| Protection cap  | without protection cap                        |
| Tightening torque connection terminal for cable cross-section 1,0 - 1,5 mm <sup>2</sup> | 0.6 Nm  |
| Tightening torque connection terminal for cable cross-section 2,5 - 4,0 mm <sup>2</sup> | 0.8 Nm  |
| Recommended wire end treatment for supply cable connection terminal                     | ferrule square gasproof crimped               |
| Strip length jacket   | 120 mm  |

|                              |                     |
|------------------------------|---------------------|
| <b>Wall mounted inlet</b>    | <b>843</b>          |
| Strip length conductor       | 8 - 10 mm           |
| Conductor cross-section min. | 1 mm <sup>2</sup>   |
| Conductor cross-section max. | 2.5 mm <sup>2</sup> |
| Weight (net)                 | 116 g               |
| Packaging unit               | 10 Stück            |
| Quantity per pallet          | 880 Stück           |
| EAN / identification number  | 4015394133575       |

| Permissible ambient conditions    |        |       |
|-----------------------------------|--------|-------|
|                                   | Min.   | Max.  |
| Permanent ambient temperature     | -25 °C | 40 °C |
| Average temperature over 24 hours |        | 35 °C |

| Material properties |                                   |
|---------------------|-----------------------------------|
| Base                | PA6 light grey [similar RAL 7035] |
| Upper part          | PA6 yellow [similar RAL 1021]     |
| External screws     | galvanised steel                  |

**Material resistance**

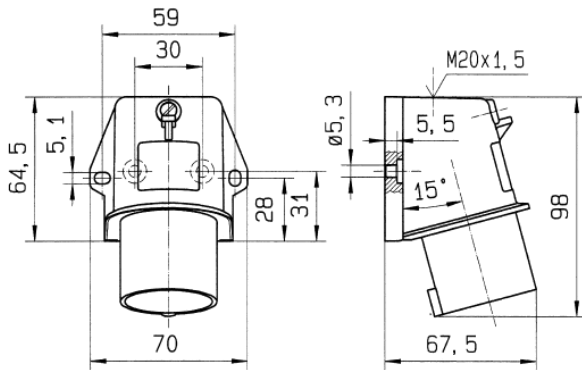
The material resistance overview can be found on the website in the section “Knowledge” - “Product knowledge” - “Materials”.

| Material and environmental properties |   |
|---------------------------------------|---|
| RoHS 2011/65/EU incl. 2015/863/EU     | ✓ |
| POP regulation (EU) 2019/1021         | ✓ |

Regulations and Standards

|                           |                    |
|---------------------------|--------------------|
| Norm                      | DIN EN IEC 60309-2 |
| Declaration of Conformity | CE                 |
| Test label                | EAC                |

# Dimensional Drawing



Drawing  
2 MB 213

Dim. in mm