

36 712 882 Product version from 4/1/2024



- 190mm projection
- circular, air-enriched flow
- hole diameter valve 35 mm
- hole diameter spout 35 mm
- rosette Ø 55 mm
- max. flow 7 l/min
- lead-free
- WRAS
- This product can help a building meet the requirements of Green Building Rating Systems, e.g. LEED®, BREEAM®, DGNB

| | | |
|--|--------------------------------|---------------|
| | Brushed Platinum | 36 712 882-06 |
| | Chrome | 36 712 882-00 |
| | Platinum | 36 712 882-08 |
| | Dark Chrome | 36 712 882-19 |
| | Brushed Durabronze (23kt Gold) | 36 712 882-28 |
| | Matte Black | 36 712 882-33 |
| | Brushed Gold (PVD) | 36 712 882-37 |
| | Brushed Dark Brass (PVD) | 36 712 882-39 |
| | Brushed Bronze (PVD) | 36 712 882-42 |
| | Brushed Dark Bronze (PVD) | 36 712 882-43 |
| | Brushed Champagne (22kt Gold) | 36 712 882-46 |
| | Champagne (22kt Gold) | 36 712 882-47 |
| | Brushed Chrome | 36 712 882-93 |
| | Brushed Dark Platinum | 36 712 882-99 |

Required miscellaneous



Concealed wall-mounted mixer variable positioning - 35 720 970 90

- min. recess depth 85 mm
- max. recess depth 145 mm

Required miscellaneous

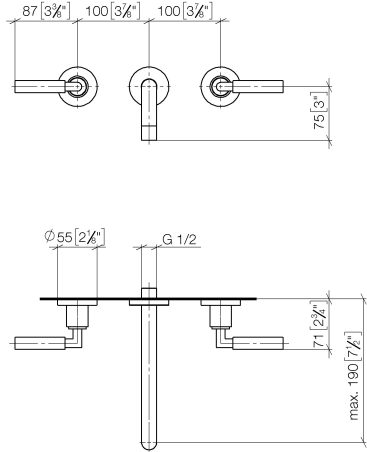


Concealed wall-mounted mixer centred spout - 35 700 970 90

- min. recess depth 85 mm
- max. recess depth 145 mm

36 712 882 Product version from 4/1/2024

mm [inches]



Flow rate chart



Codes & Standards

| | | | |
|-----------------------------|-----------|------------|------------------------|
| DIN 4109 | EN 200 | ISO 3822 | Scottish Water Byelaws |
| UK Water Supply Regulations | Ü-Zeichen | VA-Zeichen | XP P 41-280 |



TARA Wall-mounted basin mixer without pop-up waste - Brushed Platinum

TARA

36 712 882 Product version from 4/1/2024

Certificates and sustainability

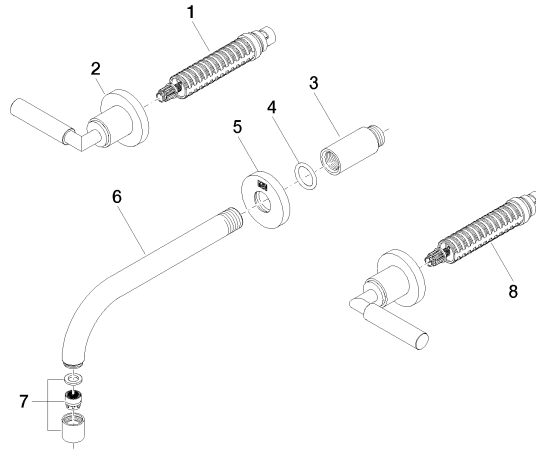
LGA_18

WRAS_2107

ETA_19

ACS_20 ACC LY

EPD-DOR-20230287
-IBA1-EN
Environmental.prod
uct-declarat



Spare parts list

| No. | Item Number | Name | Quantity used | Delivery time |
|--|--------------------|---|---------------|---------------|
| 1 | 90 90 03 156 00 90 | Head part anti-clockwise closing 1/2" - | 1.00 | 14 |
| 4 | 90 14 10 026 00 90 | O-Ring 20,5 x 3,5 mm - | 1.00 | 14 |
| 2 | 36 310 882-06 | TARA Wall valve - Brushed Platinum | 2.00 | - |
| Spare part can no longer be ordered, please order the replacement item | | | | |
| 6 | 04 28 22 090 10-06 | Spout 190 mm - Brushed Platinum | 1.00 | 20 |
| 5 | 09 27 22 503-06 | Rosette DB logo Ø 55 x Ø 22 x 9 mm - Brushed Platinum | 1.00 | 20 |
| 7 | 90 23 01 019 00-06 | Aerator M18x1-IG 7,0 l/min. - Brushed Platinum | 1.00 | 20 |
| 8 | 90 90 03 157 00 90 | Head part clockwise closing 1/2" - | 1.00 | 14 |
| 3 | 09 24 03 081 10 90 | Extension 1/2" x 50 mm - | 1.00 | 14 |