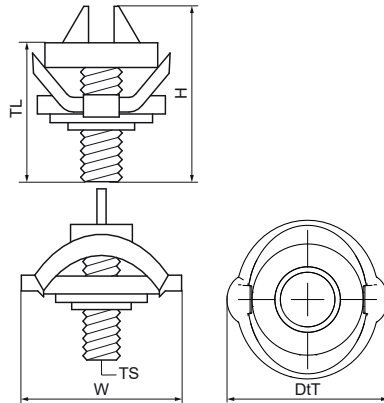


Walraven starQuick® Hammerfix

(C0580)

for use with Walraven starQuick®



Features & benefits

- material: metal parts made of steel 1.0332;
- spring(s) made of POM (polyoxymethylene), green
- zinc plated

Product Number	Thread Size	Thread Length	Total Height	Total Width	Total Depth
Reference letter	TS	TL	H	W	DtT
Unit description		mm	mm	mm	mm
0854338	M8	14	29	35	35